

CHICAGO FAUCETS
 a Geberit company

2100 South Clearwater Drive
 Des Plaines, IL 60018
 Phone: 847-803-5000
 Fax: 847-803-5454
 www.chicagofaucets.com

ROUGH-IN

FITTING NO.

L8BVBE3-2JKABCP

FOR TECHNICAL ASSISTANCE
 1-800-TEC-TRUE (1-800-832-8783)

BY: SID DATE: 04-25-13
 CHK: *[Signature]* REV:

SUBMITTED MODEL NO.

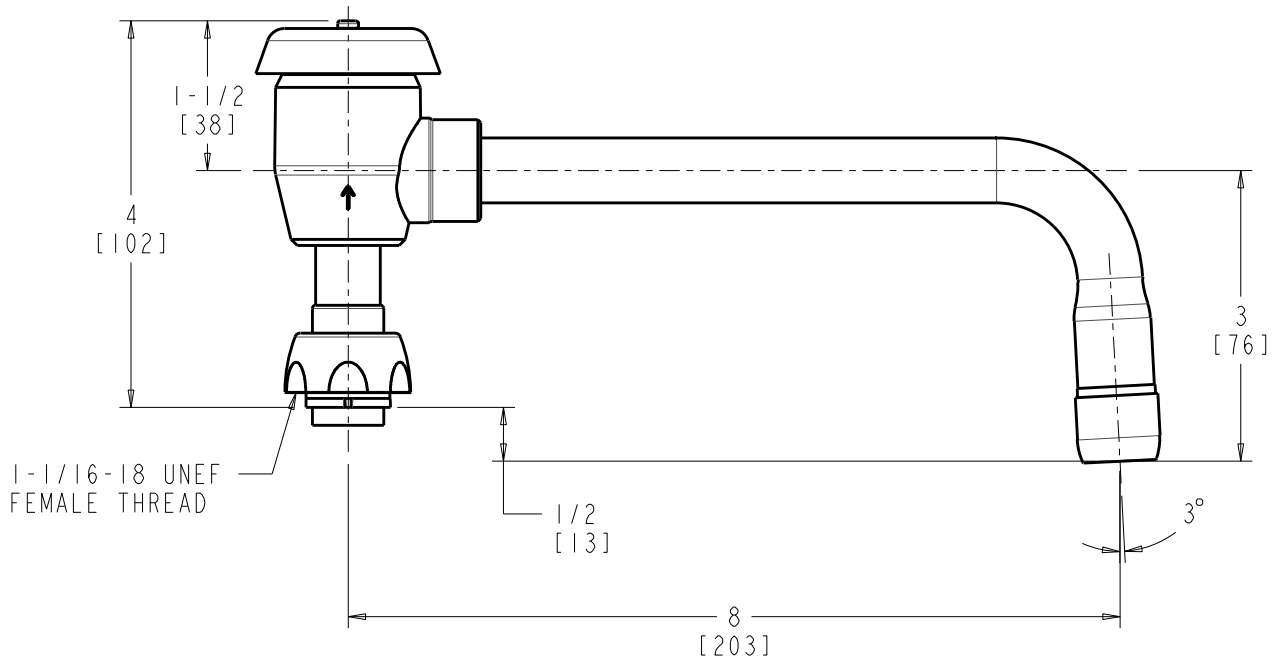
SUBMITTED AS SHOWN

SUBMITTED AS NOTED

SEE ATTACHED FOR
 SUBMITTED MODIFICATION

JOB NAME

ITEM NO.



DIMENSIONS ARE IN INCHES AND [MILLIMETERS].

TECHNICAL DATA

- 8" L TYPE SWING VACUUM BREAKER SPOUT
- ATMOSPHERIC VACUUM BREAKER
- E3-2 SOFTFLO AERATOR WITH ADAPTER
- 2.2 GPM [8.3 L/min.] MAXIMUM FLOW RATE
- FINISH: CHROME PLATE

- ASME A112.18.1/CSA B125.1 COMPLIANT
- ASSE 1001 COMPLIANT
- CSA B64.1.1 COMPLIANT
- CERTIFIED TO NSF/ANSI 61, SECTION 9 BY CSA
- MEETS THE LEAD CONTENT REQUIREMENTS OF: CALIFORNIA, VERMONT AND NSF/ANSI 372
- CALGREEN

ROUGHING IN DIMENSIONS MAY VARY AND ARE SUBJECT TO CHANGE. NO RESPONSIBILITY IS ASSUMED FOR USE OF SUPERCEDED OR VOIDED DATA.