

CHICAGO FAUCETS
 a Geberit company

2100 South Clearwater Drive
 Des Plaines, IL 60018
 Phone: 847-803-5000
 Fax: 847-803-5454
 www.chicagofaucets.com

ROUGH-IN

FITTING NO.

GN8AE29VPJKABCP

FOR TECHNICAL ASSISTANCE
 1-800-TEC-TRUE (1-800-832-8783)

BY: SID DATE: 11-18-13
 CHK: [Signature] REV:

SUBMITTED MODEL NO.

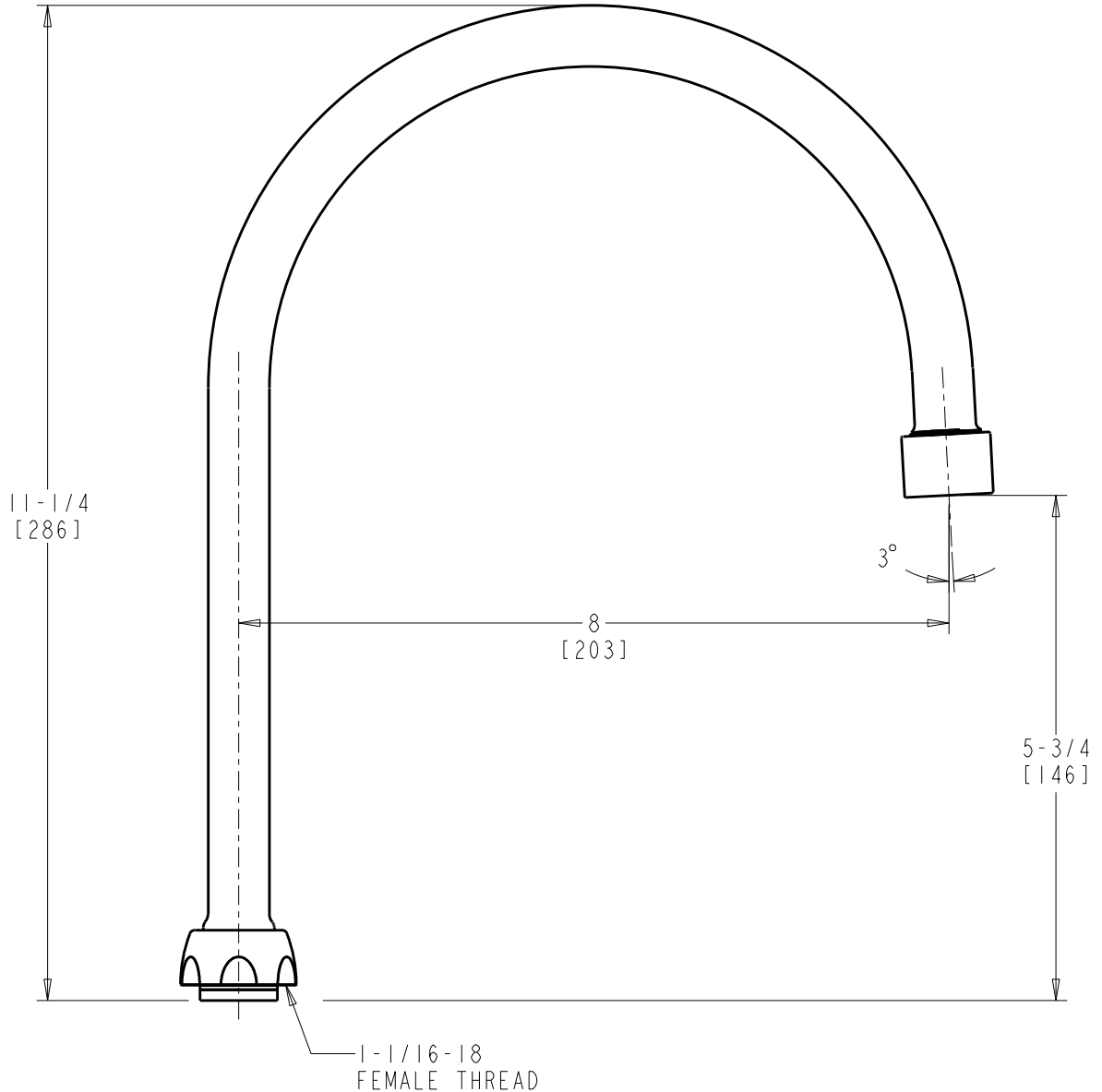
SUBMITTED AS SHOWN

SUBMITTED AS NOTED

SEE ATTACHED FOR
 SUBMITTED MODIFICATION

JOB NAME

ITEM NO.



DIMENSIONS ARE IN INCHES AND [MILLIMETERS].

TECHNICAL DATA

- RIGID/SWING GOOSENECK SPOUT WITH AERATOR
 - FINISH: CHROME PLATE

- E29VP VANDAL RESISTANT LAMINAR FLOW OUTLET
 - 2.2 GPM [8.3 L/min.] MAXIMUM FLOW RATE

ROUGHING IN DIMENSIONS MAY VARY AND ARE SUBJECT TO CHANGE. NO RESPONSIBILITY IS ASSUMED FOR USE OF SUPERCEDED OR VOIDED DATA.