

**CHICAGO  
FAUCETS**®

a Geberit company

2100 South Clearwater Drive  
Des Plaines, IL 60018  
Phone: 847-803-5000  
Fax: 847-803-5454  
www.chicagofaucets.com

**FOR TECHNICAL ASSISTANCE**  
1-800-TEC-TRUE (1-800-832-8783)

**ROUGH-IN**

BY: JAR

DATE: 01-30-14

CHK: *JAR*

REV:

FITTING NO.

**GN12ASWGJKABCP**

SUBMITTED MODEL NO.

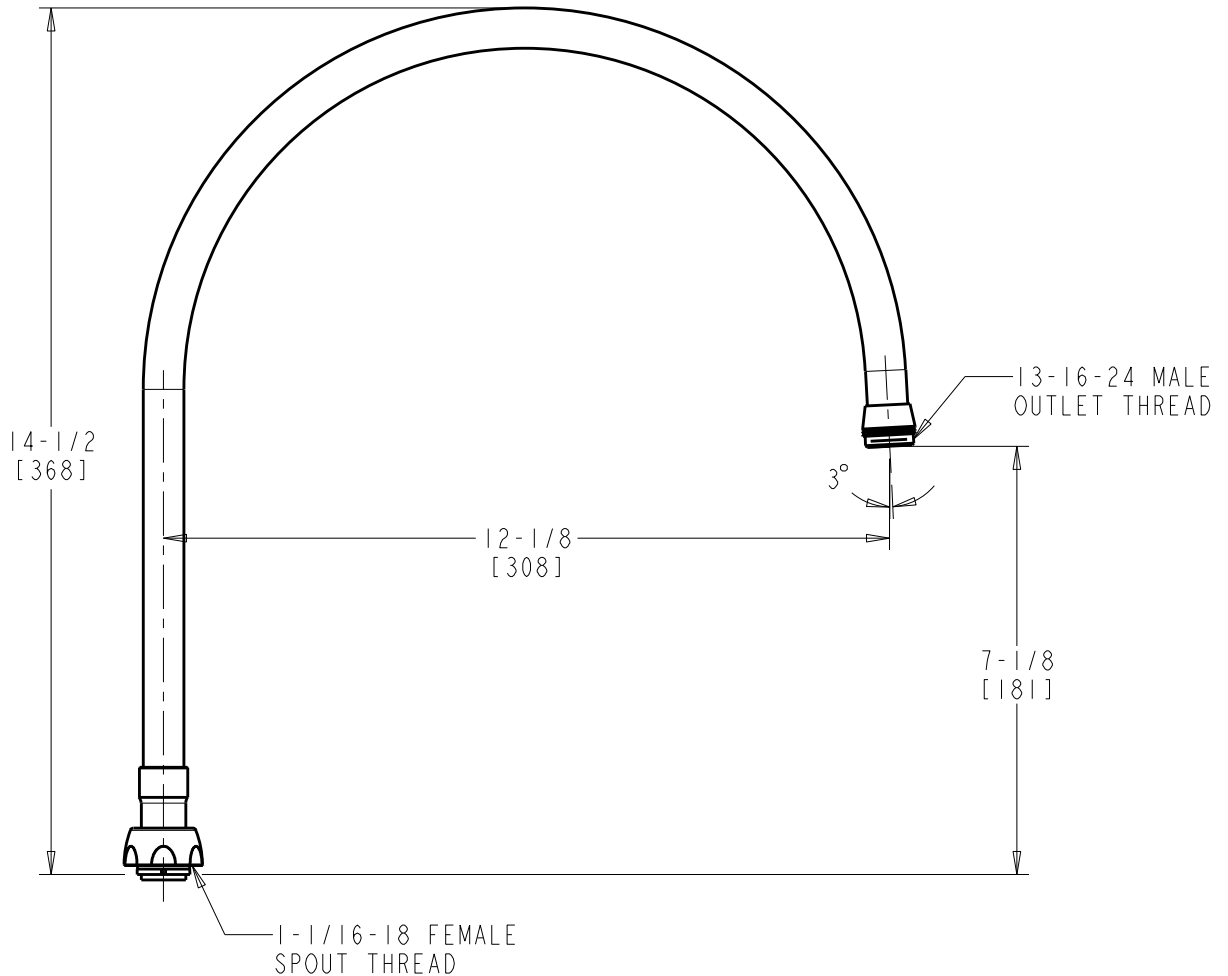
SUBMITTED AS SHOWN

SUBMITTED AS NOTED

SEE ATTACHED FOR  
SUBMITTED MODIFICATION

JOB NAME

ITEM NO.



DIMENSIONS ARE IN INCHES AND [MILLIMETERS].

**TECHNICAL DATA**

- SWING GOOSENECK SPOUT
- FINISH: CHROME PLATE

ROUGHING IN DIMENSIONS MAY VARY AND ARE SUBJECT TO CHANGE. NO RESPONSIBILITY IS ASSUMED FOR USE OF SUPERCEDED OR VOIDED DATA.