

CHICAGO FAUCETS
 a Geberit company

2100 South Clearwater Drive
 Des Plaines, IL 60018
 Phone: 847-803-5000
 Fax: 847-803-5454
 www.chicagofaucets.com

FOR TECHNICAL ASSISTANCE
 1-800-TEC-TRUE (1-800-832-8783)

ROUGH-IN

FITTING NO.

E32VPJKABCP

SUBMITTED MODEL NO.

BY: SID DATE: 05-30-13
 CHK: *[Signature]* REV:

SUBMITTED AS SHOWN

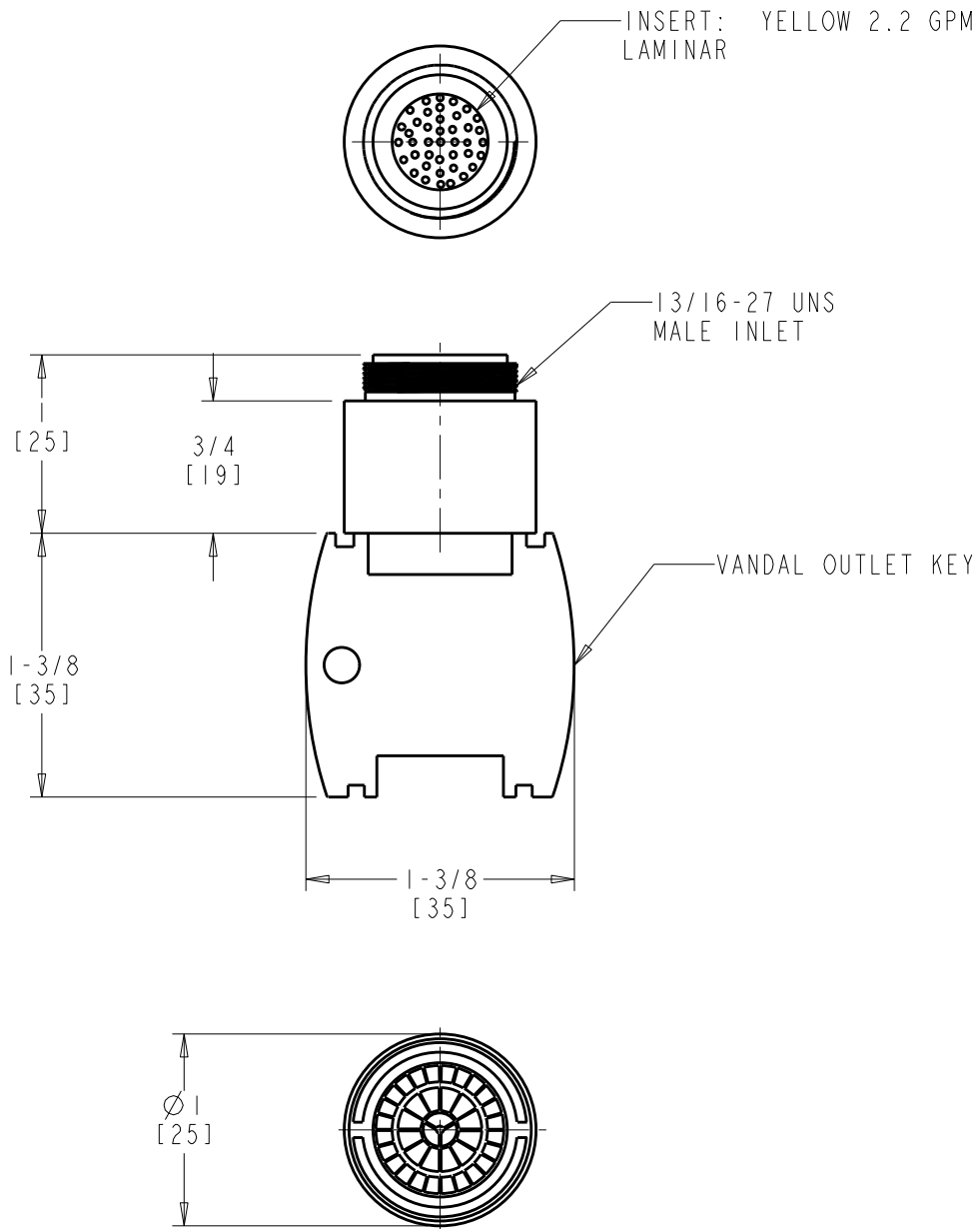
SUBMITTED AS NOTED

SEE ATTACHED FOR
 SUBMITTED MODIFICATION

JOB NAME

ITEM NO.

ROUGHING IN DIMENSIONS MAY VARY AND ARE SUBJECT TO CHANGE. NO RESPONSIBILITY IS ASSUMED FOR USE OF SUPERCEDED OR VOIDED DATA.



DIMENSIONS ARE IN INCHES AND [MILLIMETERS].

TECHNICAL DATA

- NON-AERATING PRESSURE COMPENSATING LAMINAR FLOW OUTLET
- VANDAL PROOF OUTLET KEY INCLUDED
- 2.2 GPM [8.3 L/min.] MAXIMUM FLOW RATE
- FINISH: CHROME PLATE

- ASME A112.18.1/CSA B125.1 COMPLIANT