

# CHICAGO FAUCETS



*Last As Long As The Building*

2100 SOUTH CLEARWATER DRIVE  
DES PLAINES, ILLINOIS 60018-5999

FITTING NO.

E26

SUBMITTED MODEL NO.

JOB NAME

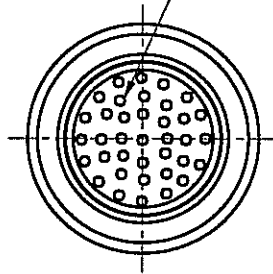
ITEM NO.

SUBMITTED AS SHOWN

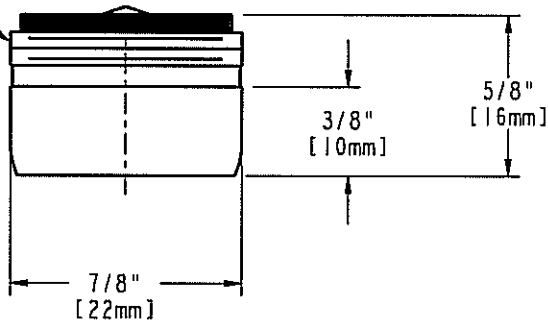
SUBMITTED AS NOTED

SEE ATTACHED FOR  
SUBMITTED MODIFICATION

WHITE/BLUE INSERT  
INDICATES 1.0 GPM



13/16-27 MALE THREAD



DIMENSIONS IN INCHES AND [MILLIMETERS].

TECHNICAL DATA

- 1.0 GPM SPRAY OUTLET
- MEETS ASME A112.18.1M AND CSA STANDARDS
- POLISHED CHROME FINISH

DATE: 05-06-03

BY: SID

CHK'D: *AT*

APP'D:

REV: A

E26

ROUGHING IN DIMENSIONS MAY VARY AND ARE SUBJECT TO CHANGE. NO RESPONSIBILITY IS ASSUMED FOR USE OF SUPERCEDED OR VOIDED DATA.