



2100 South Clearwater Drive
Des Plaines, IL 60018
Phone: 847-803-5000
Fax: 847-803-5454
www.chicagofaucets.com

FOR TECHNICAL ASSISTANCE
1-800-TEC-TRUE (1-800-832-8783)

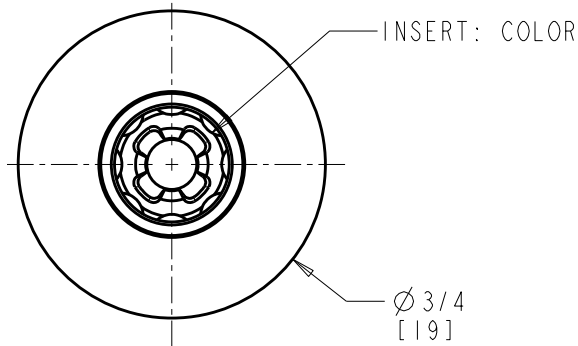
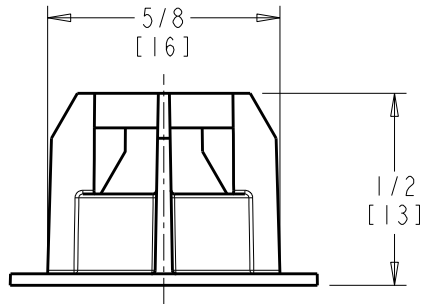
ROUGH-IN

BY: JAR DATE: 10-14-21
CHK: *JAR* REV:

FITTING NO.
50-043KJKABNF_SCHEDULE
SUBMITTED MODEL NO.

SUBMITTED AS SHOWN	SUBMITTED AS NOTED	SEE ATTACHED FOR SUBMITTED MODIFICATION
JOB NAME		ITEM NO.

SCHEDULE			
MODEL	SPOUT/PRODUCT	INSERT COLOR	GPM @ 60 PSI
50-043KJKABNF	FOR GN AND DOUBLE BEND SPOUTS	GREEN	1.5 GPM
50-045KJKABNF	FOR GN AND DOUBLE BEND SPOUTS	BROWN	0.35 GPM
50-046KJKABNF	FOR GN AND DOUBLE BEND SPOUTS	LIME	0.5 GPM
50-048KJKABNF	FOR GN AND DOUBLE BEND SPOUTS	LILAC	2.0 GPM
1020-034KJKABNF	FOR GN AND DOUBLE BEND SPOUTS	BLUE	1.0 GPM
1020-035KJKABNF	FOR GN AND DOUBLE BEND SPOUTS	GREY	2.5 GPM



DIMENSIONS ARE IN INCHES AND [MILLIMETERS].

TECHNICAL DATA

- LAMINAR FLOW CONTROL RETAINER AND INSERT

ROUGHING IN DIMENSIONS MAY VARY AND ARE SUBJECT TO CHANGE. NO RESPONSIBILITY IS ASSUMED FOR USE OF SUPERCEDED OR VOIDED DATA.