



a Geberit company

2100 South Clearwater Drive
Des Plaines, IL 60018
Phone: 847-803-5000
Fax: 847-803-5454
www.chicagofaucets.com

FOR TECHNICAL ASSISTANCE
1-800-TEC-TRUE (1-800-832-8783)

ROUGH-IN

BY: SID DATE: 02-08-13
CHK: *[Signature]* REV:

FITTING NO.

242.802.AB.1

SUBMITTED MODEL NO.

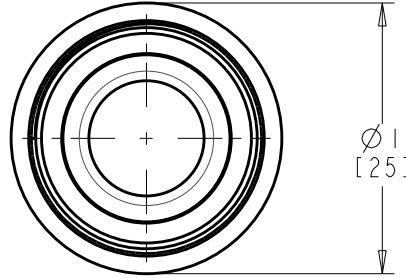
SUBMITTED AS SHOWN

SUBMITTED AS NOTED

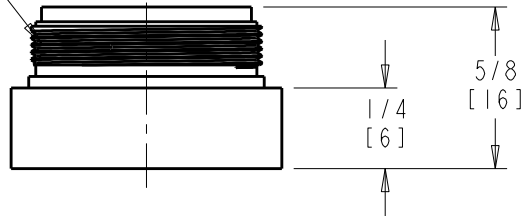
SEE ATTACHED FOR
SUBMITTED MODIFICATION

JOB NAME

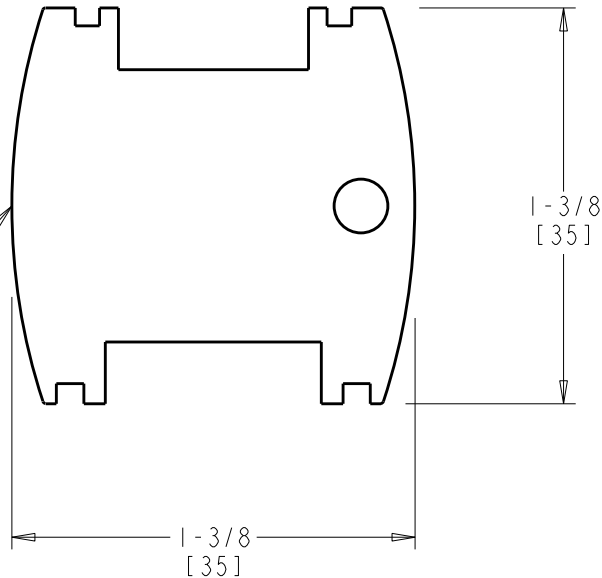
ITEM NO.



13/16-27 MALE THREAD
FOR WIDESPREAD AND
CENTERSSET LAVATORY
FAUCETS



3-024RCF
VANDAL OUTLET
KEY



DIMENSIONS ARE IN INCHES AND [MILLIMETERS].

TECHNICAL DATA

- VANDAL RESISTANT NON-AERATING LAMINAR FLOW STREAM SOLIDIFIER OUTLET
- 1.0 GPM [3.9 L/min.] MAXIMUM FLOW RATE
- VANDAL PROOF OUTLET KEY INCLUDED
- ASME A112.18.1/CSA B125.1 COMPLIANT
- FINISH: CHROME PLATE

ROUGHING IN DIMENSIONS MAY VARY AND ARE SUBJECT TO CHANGE. NO RESPONSIBILITY IS ASSUMED FOR USE OF SUPERCEDED OR VOIDED DATA.