

ROUGHING IN DIMENSIONS MAY VARY AND ARE SUBJECT TO CHANGE. NO RESPONSIBILITY IS ASSUMED FOR USE OF SUPERCEDED OR VOIDED DATA. (0192-1)

CHICAGO. FAUCETS

2100 SOUTH CLEARWATER DRIVE
DES PLAINES, ILLINOIS 60018-5999

FITTING NO.

GNIFC

SUBMITTED MODEL NO.

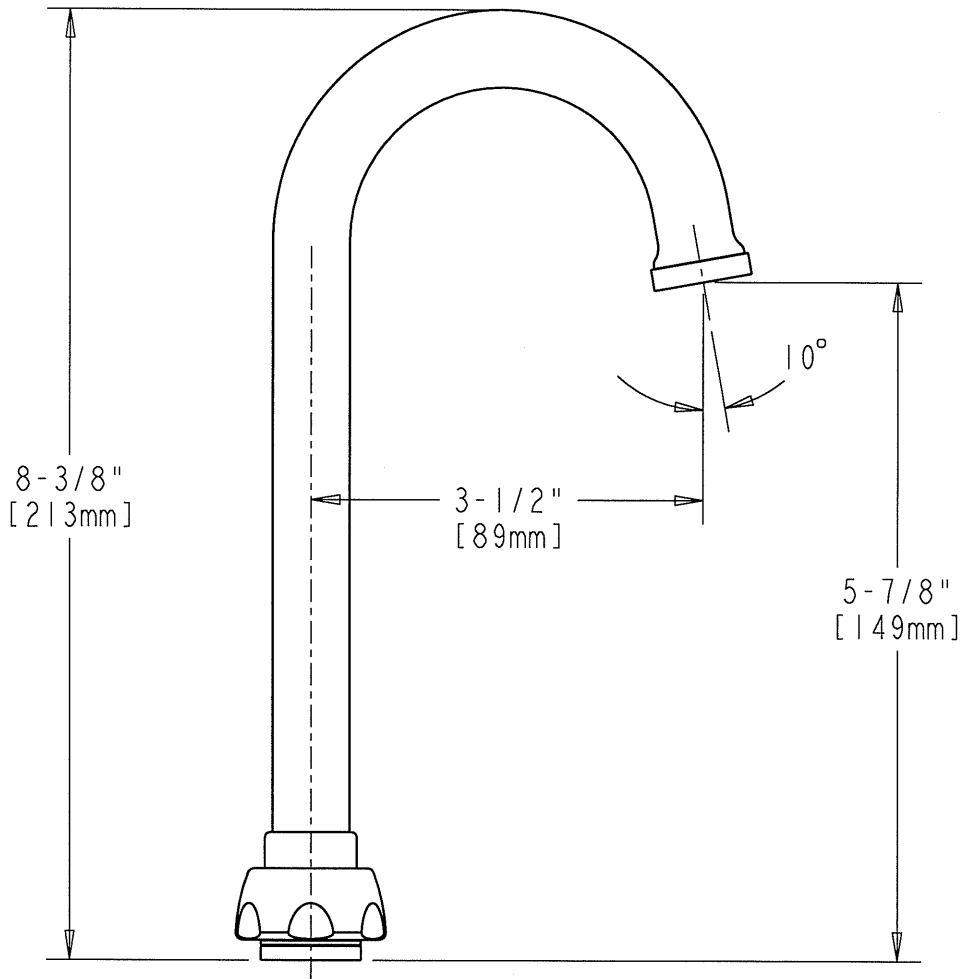
JOB NAME

ITEM NO.

SUBMITTED AS SHOWN

SUBMITTED AS NOTED

SEE ATTACHED FOR
SUBMITTED MODIFICATION



DIMENSIONS IN INCHES AND [MILLIMETERS].

TECHNICAL DATA

- RIGID/SWING GOOSENECK SPOUT
- FLOW CONTROL IN SPOUT
- 1.6 GPM [6.0 L/min] @ 80 PSI
- SPOUT END RING
- POLISHED CHROME FINISH OR AS SPECIFIED

DATE: 05-27-98

BY: MGM

CHK'D: *JJR*

APP'D: *LK 10/14/98*

REV: 05-27-98

GNIFC