

CHICAGO FAUCETS 

a Geberit company

2100 South Clearwater Drive
Des Plaines, IL 60018
Phone: 847-803-5000
Fax: 847-803-5454
www.chicagofaucets.com

FOR TECHNICAL ASSISTANCE
1-800-TEC-TRUE (1-800-832-8783)

REPAIR PARTS

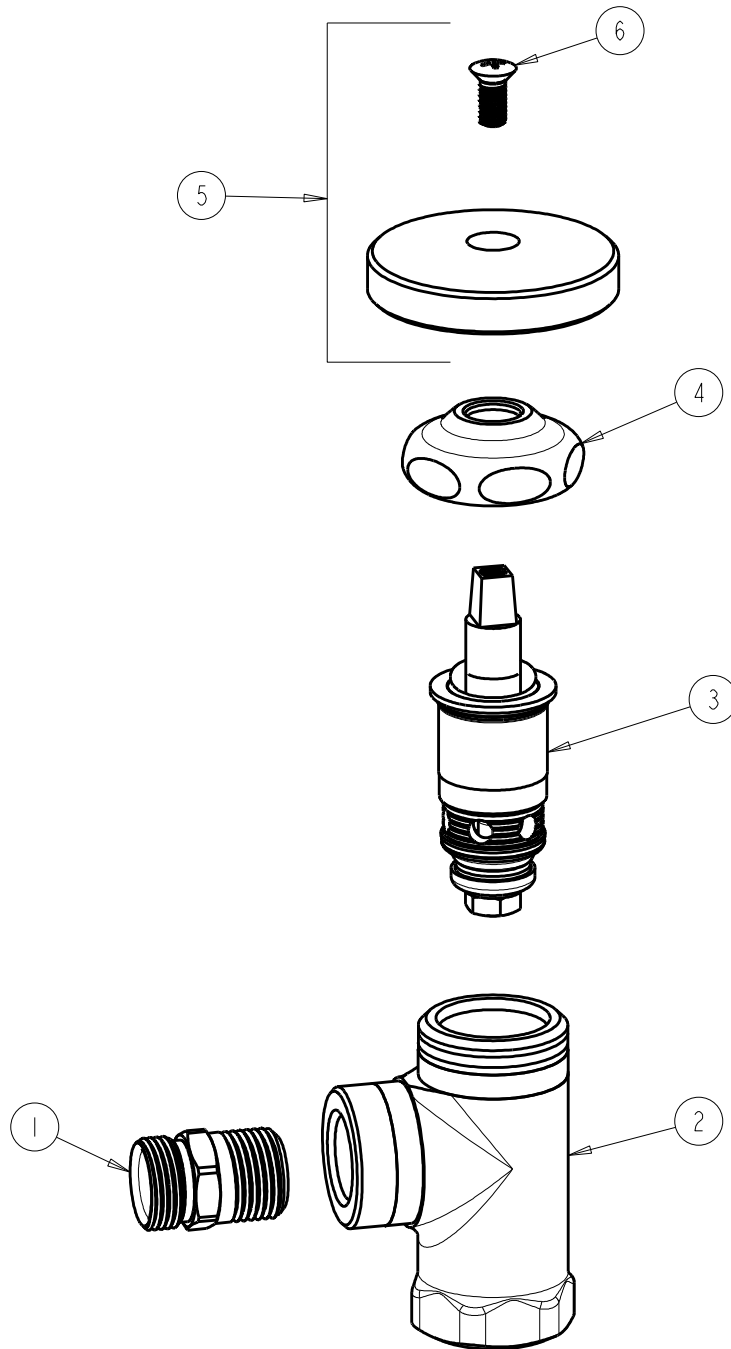
BY: SID DATE: 10-19-11
CHK:  REV:

FITTING NO.

992-CP

SUBMITTED MODEL NO.

ITEM NO.



ITEM	PART NO.	DESCRIPTION
1	1022-006JKRCF	COMP FTG BODY 1/2 TUBE X 3/8 NPT
2	—	VALVE BODY (NOT SOLD SEPARATELY)
3	217-XTLHJKNF	CARTRIDGE, SLO-COMPRESSION (LH)
4	1-214JKCP	CAP
6	420-010JKRCF	SCREW, 10-32 UNC PH 1/2