

**CHICAGO FAUCETS**  
a Geberit company

2100 South Clearwater Drive  
Des Plaines, IL 60018  
Phone: 847-803-5000  
Fax: 847-803-5454  
www.chicagofaucets.com

**REPAIR PARTS**

FITTING NO.

**987-909CAGCP**

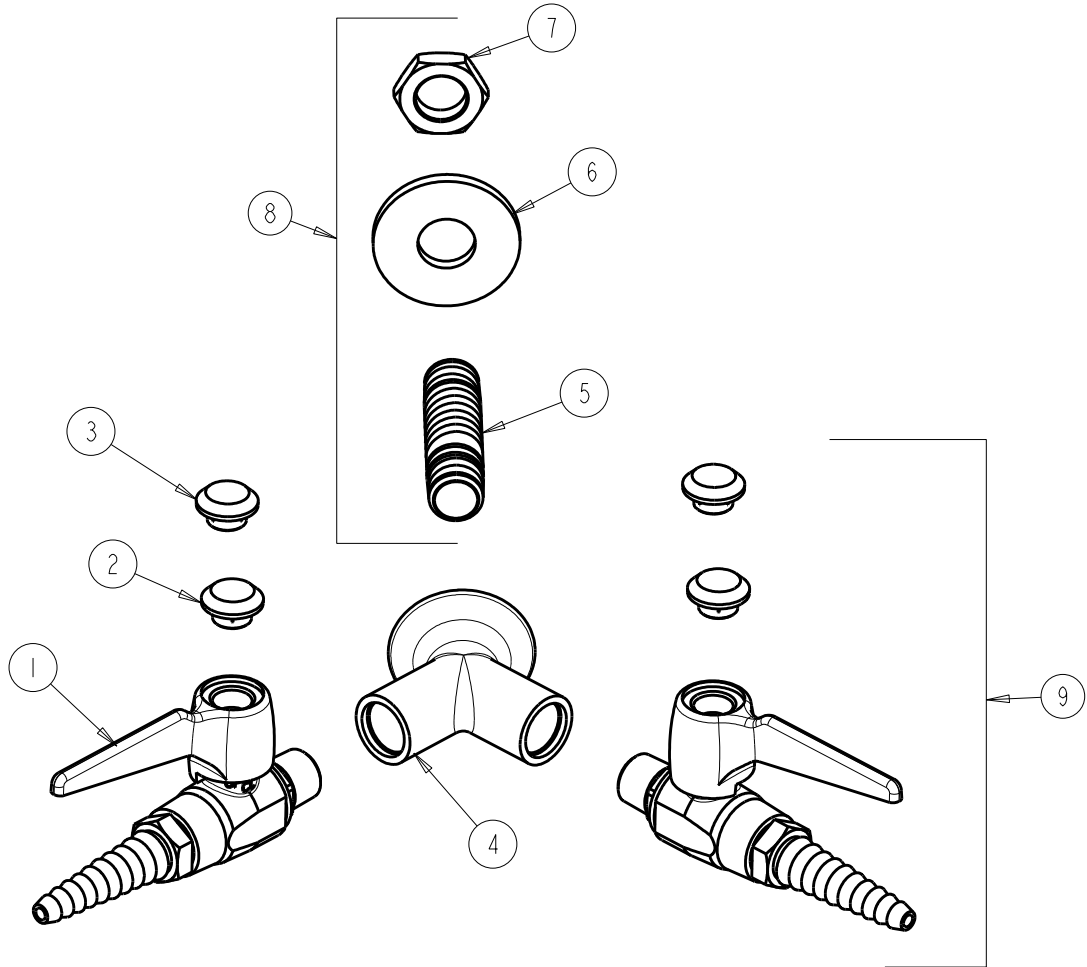
SUBMITTED MODEL NO.

ITEM NO.

BY: SID DATE: 12-08-10

CHK: *[Signature]* REV:

**FOR TECHNICAL ASSISTANCE**  
1-800-TEC-TRUE (1-800-832-8783)



ITEM	PART NO.	DESCRIPTION
1	909-CLESS216-28CP	BALL VALVE w/ CHECK VALVE
2	216-328JKNF	BUTTON 'GAS'
3	216-278JKNF	BUTTON 'AIR'
4	987-FCP	WALL FLANGE FITTING
5	-----	MALE SHANK 2-5/8 X 3/8
6	705-010JKNF	STEEL WASHER
7	705-008JKRBF	NUT
8	979-001JKRBF	MALE SHANK ASSEMBLY
9	909-CAGCP	BALL VALVE