

CHICAGO FAUCETS
a Geberit company

2100 South Clearwater Drive
Des Plaines, IL 60018
Phone: 847-803-5000
Fax: 847-803-5454
www.chicagofaucets.com

REPAIR PARTS

FITTING NO.

923-613ALCP

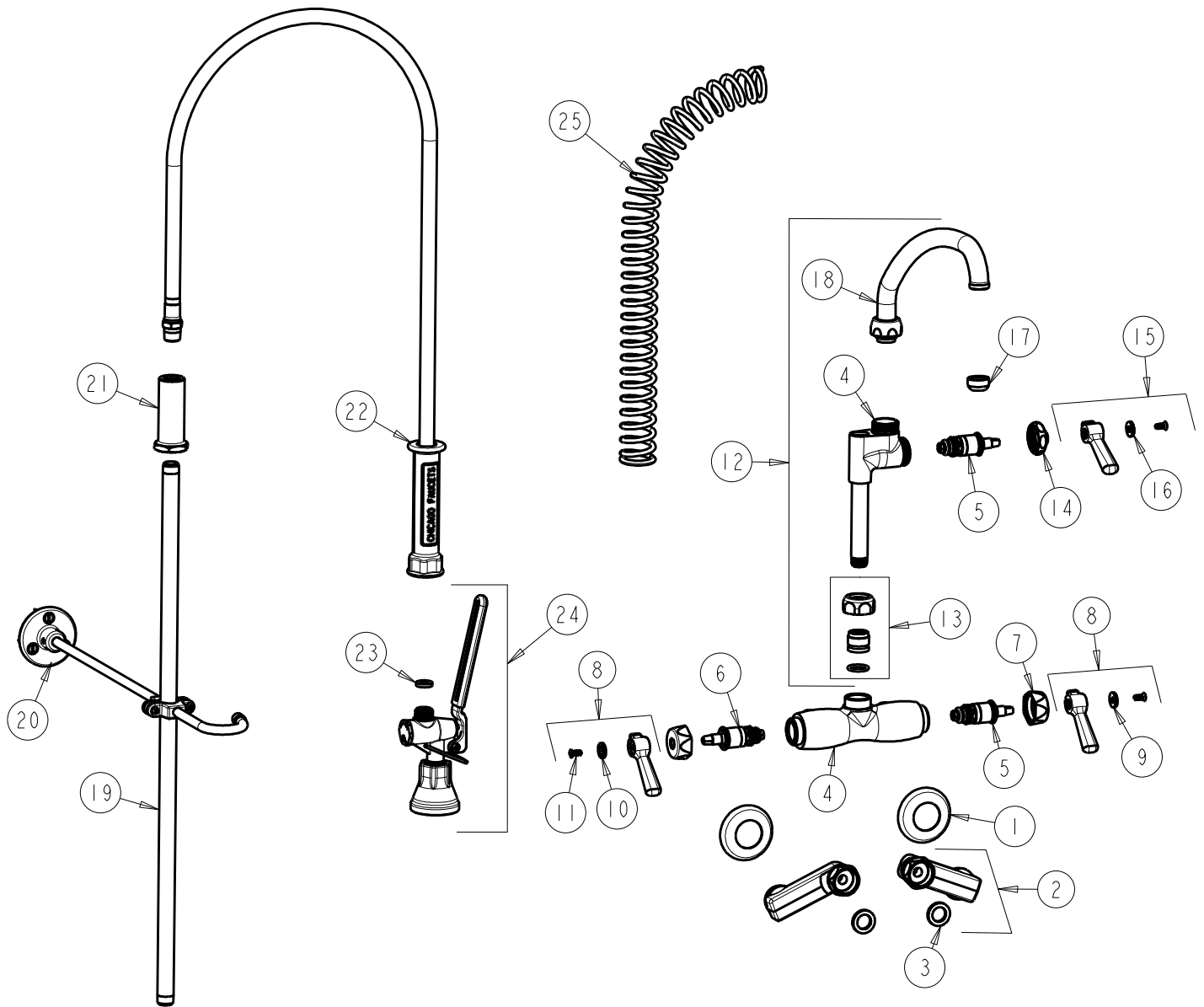
SUBMITTED MODEL NO.

ITEM NO.

BY: JAR DATE: 09-14-06

CHK: *[Signature]* REV: 05-16-11

FOR TECHNICAL ASSISTANCE
1-800-TEC-TRUE (1-800-832-8783)



ITEM	PART NO.	DESCRIPTION	ITEM	PART NO.	DESCRIPTION
1	1-055JKCP	FLANGE	14	1-214JKCP	CAP
2	HJKCP	'H' ARM ASSEMBLY w/WASHER	15	369-PLJKCP	PLAIN LEVER HANDLE
3	1-011JKNF	WASHER, .97 X .62 X .12	16	633-223JKNF	INDEX BUTTON (WHITE)
4	—	VALVE BODY (NOT SOLD SEPARATELY)	17	E1JKRCF	QUIXTOP OUTLET
5	1-099XTJKNF	QUATURN UNIT (RH)	18	L9LESSE3JKCP	FOR PARTS SEE L9LESSE3JKCP
6	1-100XTJKNF	QUATURN UNIT (LH)	19	919-039JKCP	3/8" NPT X 23" RISER
7	444-005JKCP	CAP	20	902-MHJKCP	PIPE STRAP AND HOOK ASSEMBLY
8	369-PRJKCP	LEVER HANDLE ASSEMBLY (PAIR)	21	919-038JKCP	GUIDE SHANK
9	633-123JKNF	INDEX BUTTON (BLUE)	22	83-44NF	HOSE AND HANDLE ASSEMBLY
10	633-023JKNF	INDEX BUTTON (RED)	23	919-243JKNF	GASKET, .685 X .375 X .125
11	420-010JKRCF	SCREW, 10-32 UNC PH 1/2	24	90-LABCP	PRE-RINSE VALVE, LOW FLOW
12	613-ACP	PRE-RINSE ADAPTA FITTING	25	919-014JKCP	SPRING
13	143-PPJKNF	PRE-PACK			