

CHICAGO FAUCETS

a Geberit company

2100 South Clearwater Drive
Des Plaines, IL 60018
Phone: 847-803-5000
Fax: 847-803-5454
www.chicagofaucets.com

REPAIR PARTS

BY: JAR DATE: 03-27-15
CHK: *JAR* REV:

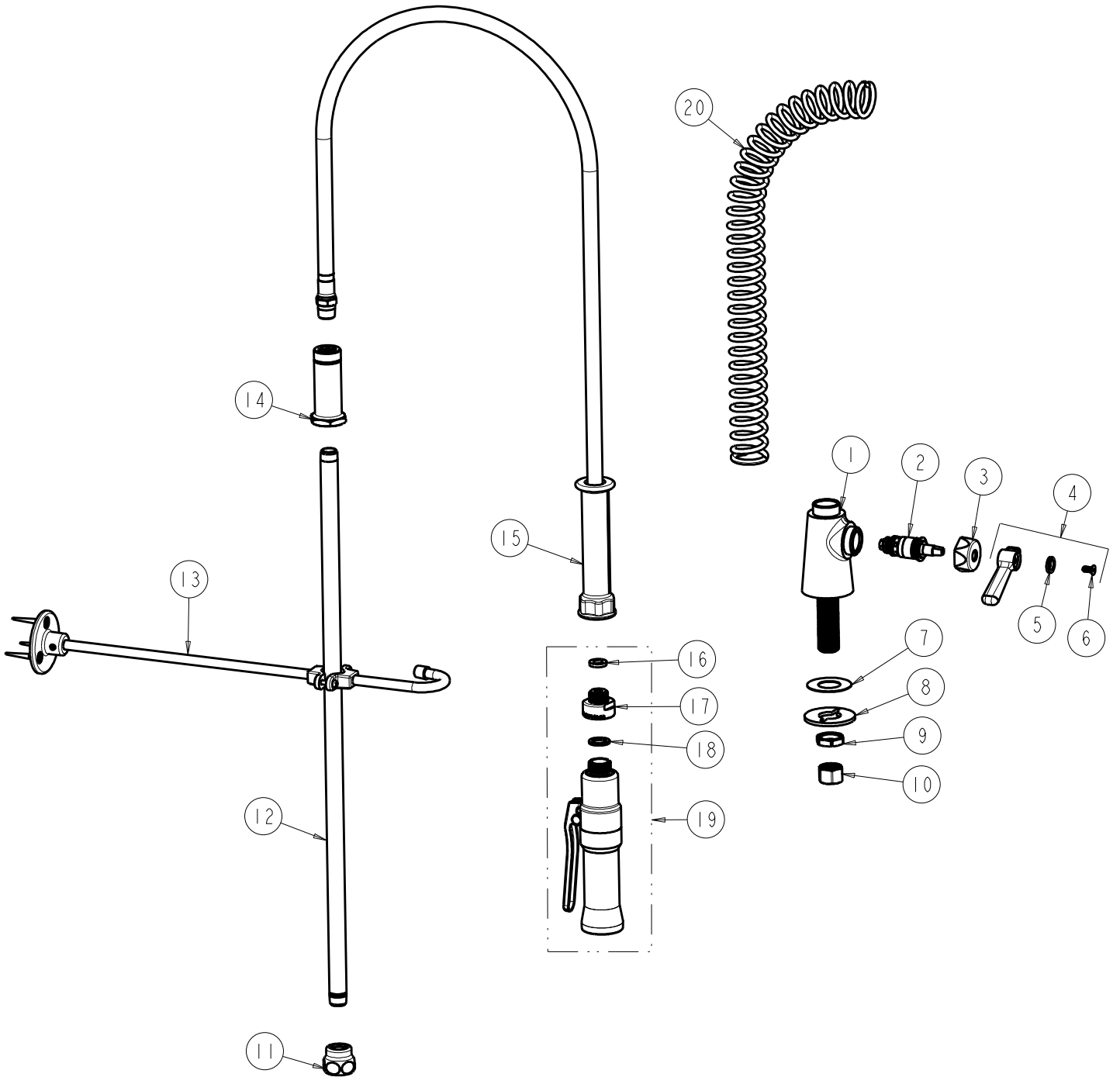
FITTING NO.

920-ASABCP

SUBMITTED MODEL NO.

ITEM NO.

FOR TECHNICAL ASSISTANCE
1-800-TEC-TRUE (1-800-832-8783)



ITEM	PART NO.	DESCRIPTION	ITEM	PART NO.	DESCRIPTION
1	-----	VALVE BODY (NOT SOLD SEPARATELY)	11	BA2JKABCP	ADAPTER 3/8 NPT X 1 1/16-18 UNEF
2	1-099XTJKABNF	QUATURN CARTRIDGE (RH)	12	919-039JKABCP	3/8" NPT X 23" RISER
3	444-005JKCP	CAP	13	902-MHJKCP	PIPE STRAP AND HOOK ASSEMBLY
4	369-PLJKCP	PLAIN LEVER HANDLE	14	919-038JKABCP	GUIDE SHANK
5	633-223JKNF	INDEX BUTTON (WHITE)	15	83-44ABNF	44" HOSE AND HANDLE ASSEMBLY
6	420-020JKNF	SCREW, 1/8 FLAT HEX HEAD X 1/2	16	919-243JKABNF	GASKET, .685 X .375 X .125
7	333-103JKNF	RUBBER WASHER	17	919-046JKABRCF	ADAPTER, PRE-RINSE
8	807-112JKNF	WASHER	18	919-244JKABNF	GASKET, .825 X .590 X .072
9	49-004JKRBF	LOCKNUT	19	99-ASAB	ADJUSTABLE SPRAY PRE-RINSE VALVE
10	49-005JKRBF	COUPLING NUT	20	919-014JKCP	SPRING