

CHICAGO FAUCETS 

a Geberit company

2100 South Clearwater Drive
Des Plaines, IL 60018
Phone: 847-803-5000
Fax: 847-803-5454
www.chicagofaucets.com

FOR TECHNICAL ASSISTANCE
1-800-TEC-TRUE (1-800-832-8783)

REPAIR PARTS

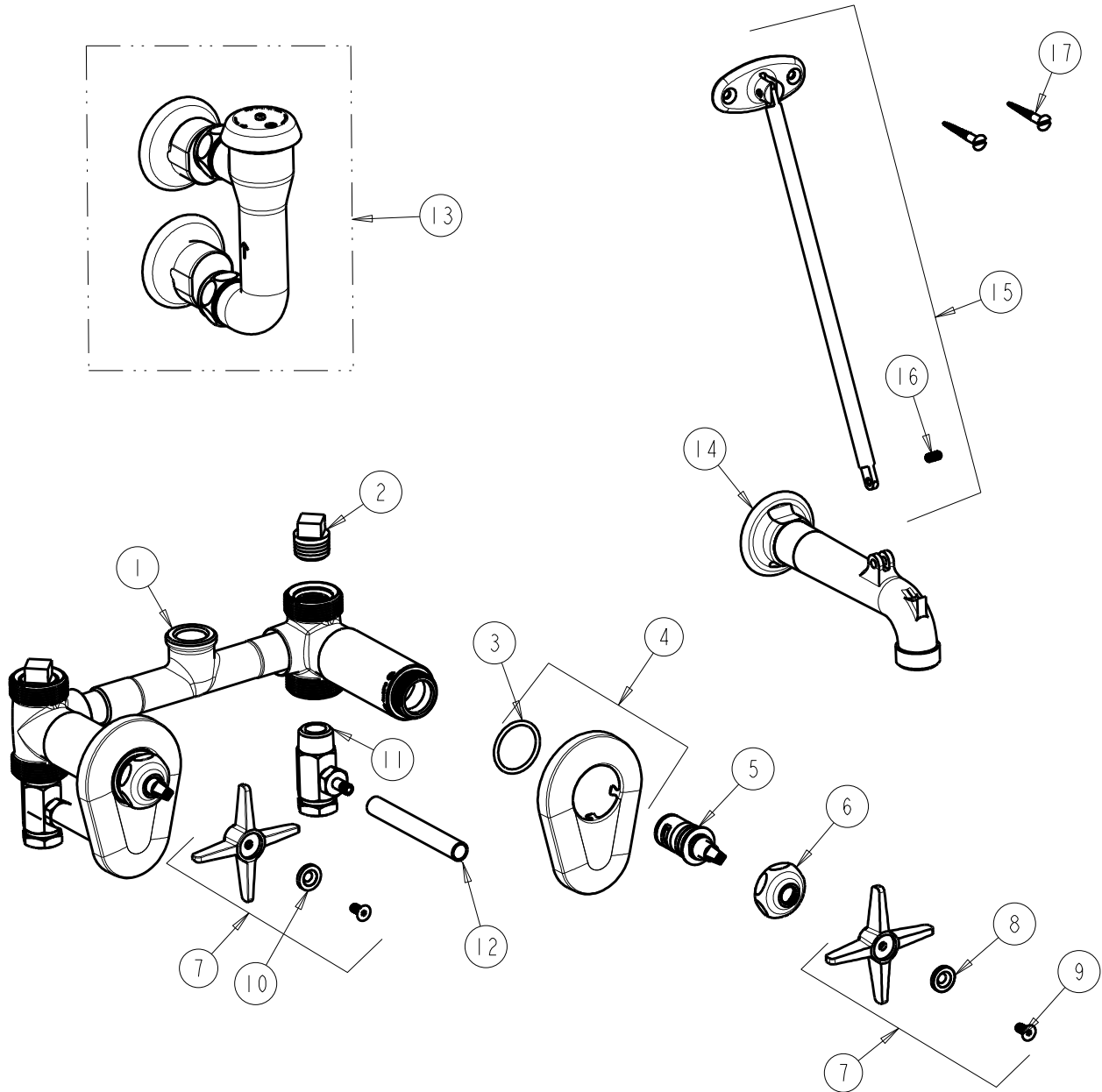
BY: SID DATE: 11-16-11
CHK: *AK* REV: 12-01-16

FITTING NO.

911-ISXKCP

SUBMITTED MODEL NO.

ITEM NO.



ITEM	PART NO.	DESCRIPTION	ITEM	PART NO.	DESCRIPTION
1	-----	VALVE BODY (NOT SOLD SEPARATELY)	10	633-023JKNF	INDEX BUTTON (RED)
2	234-032JKABRCF	1/2 NPT PLUG	11	769-013JKRBF	INTEGRAL STOP VALVE
3	5235-107JKNF	O-RING	12	769-005JKNF	INTEGRAL STOP SLEEVE
4	769-201JKCP	WALL FLANGE & O-RING	13	892-GABCP	ELEVATED VACUUM BREAKER ASSY.
5	1-100XKJKABNF	LH CERAMIC CARTRIDGE 1/4	14	782-001KJKCP	CAST SPOUT ASSEMBLY
6	1-214JKCP	CAP	15	897-013KJKCP	BRACE ROD ASSEMBLY
7	633-PRJKCP	4-ARM HANDLE ASSEMBLY	16	665-116JKNF	SET SCREW
8	633-123JKNF	INDEX BUTTON (BLUE)	17	173-006JKCP	FLAT HEAD WOOD SCREW
9	420-020JKNF	SCREW, 1/8 FLAT HEX HEAD X 1/2			