



a Geberit company

2100 South Clearwater Drive
Des Plaines, IL 60018
Phone: 847-803-5000
Fax: 847-803-5454
www.chicagofaucets.com

REPAIR PARTS

BY: SID DATE: 10-03-02

CHK: *[Signature]* REV: 06-26-09

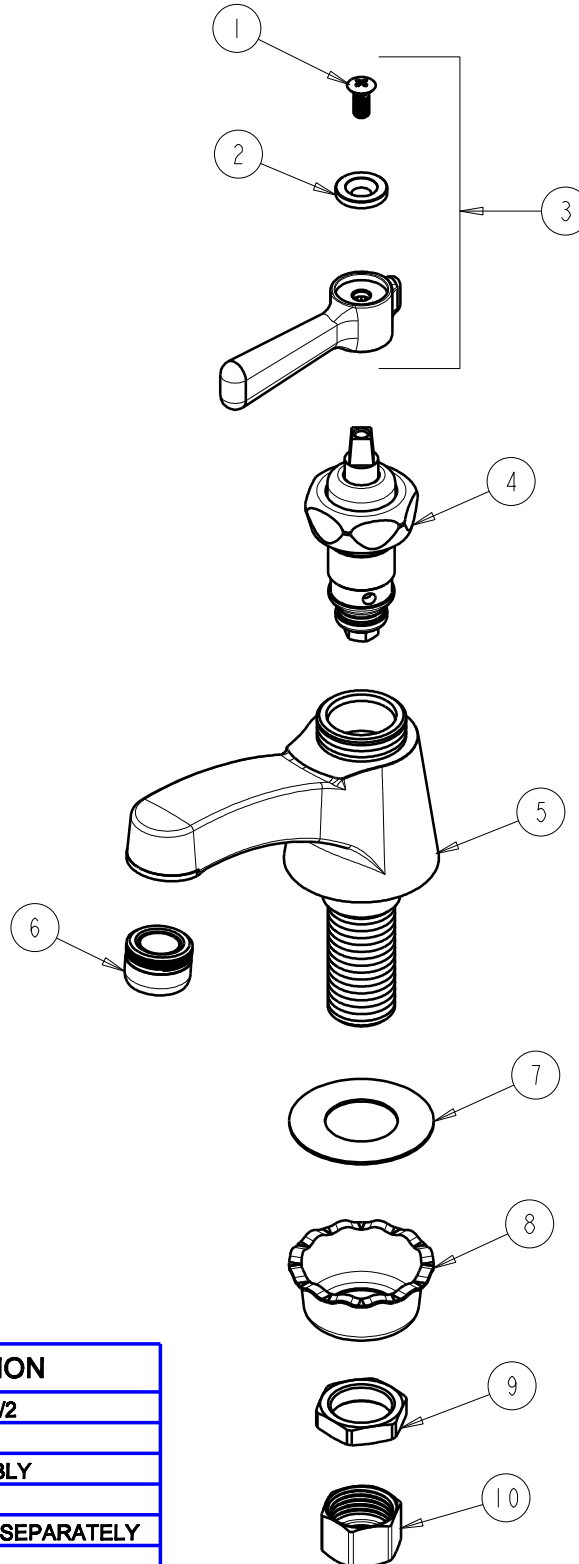
FITTING NO.

730-244COLDCP

SUBMITTED MODEL NO.

ITEM NO.

FOR TECHNICAL ASSISTANCE
1-800-TEC-TRUE (1-800-832-8783)



| ITEM | PART NO. | DESCRIPTION |
|------|--------------|---------------------------------|
| 1 | 420-010JKRCF | SCREW, 10-32 UNC PH 1/2 |
| 2 | 633-123JKNF | INDEX BUTTON (BLUE) |
| 3 | 369-COLDJKCP | LEVER HANDLE ASSEMBLY |
| 4 | 826-XJKNF | KLO-SELF CARTRIDGE |
| 5 | --- | VALVE BODY, NOT SILD SEPARATELY |
| 6 | E12JKCP | SOFTFLO OUTLET |
| 7 | 333-103JKNF | RUBBER WASHER |
| 8 | 1797-114JKNF | BASIN COCK WASHER |
| 9 | 49-004JKRBF | LOCKNUT |
| 10 | 49-005JKRBF | COUPLING NUT |