

CHICAGO FAUCETS
a Geberit company

2100 South Clearwater Drive
Des Plaines, IL 60018
Phone: 847-803-5000
Fax: 847-803-5454
www.chicagofaucets.com

REPAIR PARTS

FITTING NO.

625-RCF

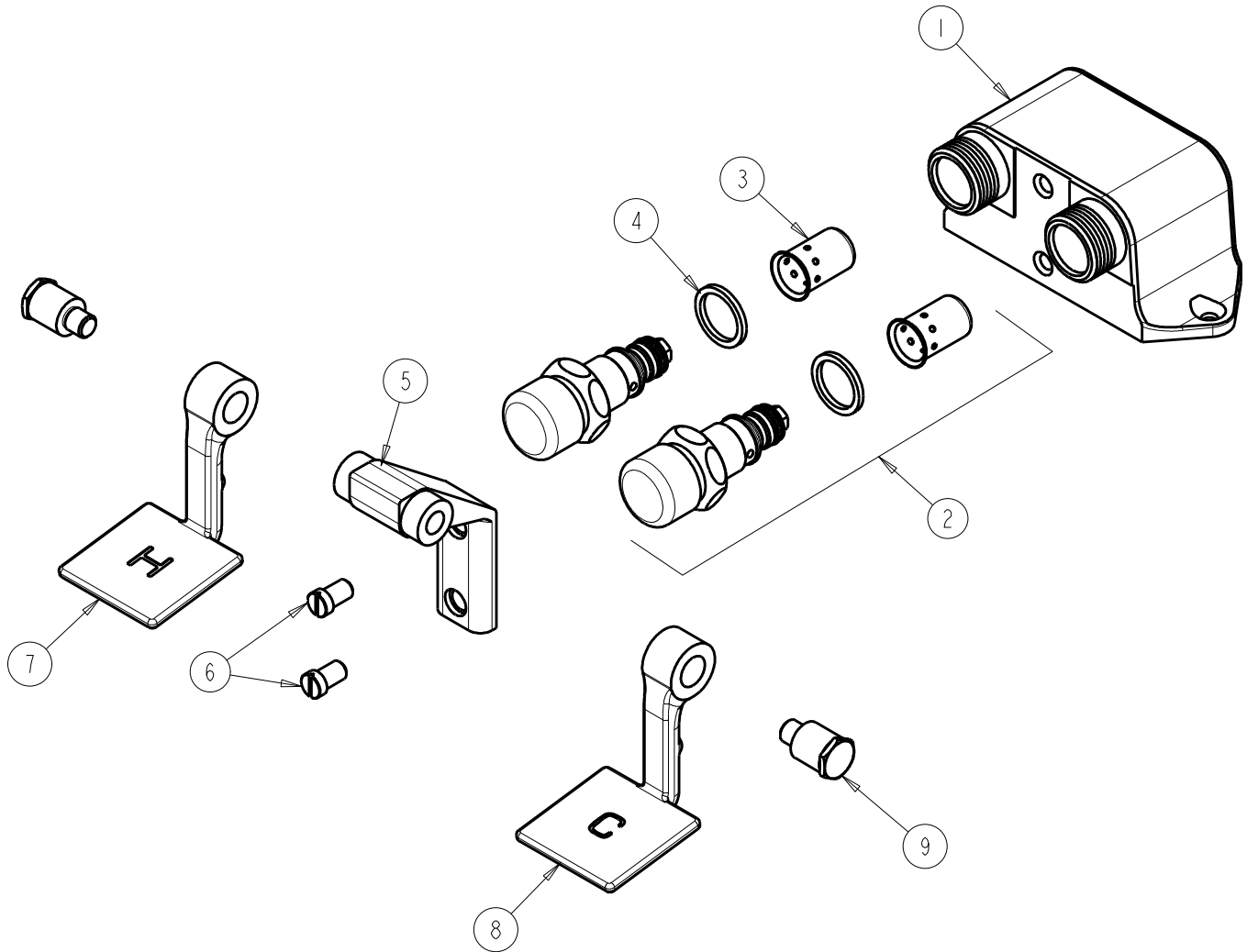
SUBMITTED MODEL NO.

ITEM NO.

BY: SID DATE: 03-10-09

CHK: *[Signature]* REV: 06-20-11

FOR TECHNICAL ASSISTANCE
1-800-TEC-TRUE (1-800-832-8783)



ITEM	PART NO.	DESCRIPTION	ITEM	PART NO.	DESCRIPTION
1	—	VALVE BODY (NOT SOLD SEPARATELY)	6	625-006JKNF	SCREW, PAN HEAD 5/16-18 UNC
2	628-XJKNF	FOR PARTS SEE 628X	7	625-058JKNF	PEDAL, HOT
3	333-075JKNF	DASHPOT	8	625-158JKNF	PEDAL, COLD
4	1-043JKNF	GASKET, CAP 1 X .80 X .09	9	625-061JKRCF	BOLT, SHOULDER 3/8-24 UNF X 5/8 HEX
5	625-060JKRCF	BRACKET			