

CHICAGO FAUCETS
a Geberit company

2100 South Clearwater Drive
Des Plaines, IL 60018
Phone: 847-803-5000
Fax: 847-803-5454
www.chicagofaucets.com

REPAIR PARTS

FITTING NO.

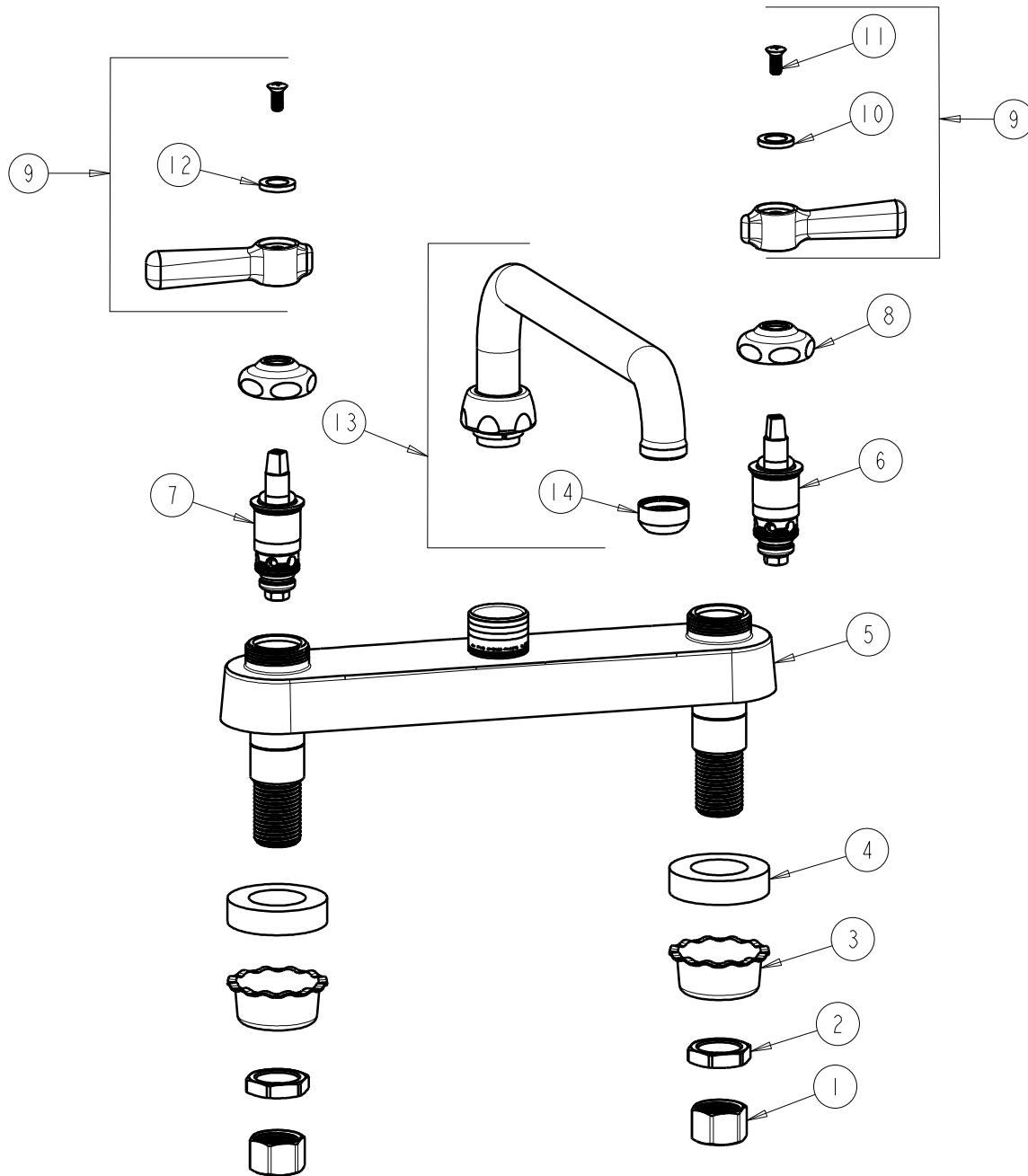
527-L12E1CP

SUBMITTED MODEL NO.

ITEM NO.

FOR TECHNICAL ASSISTANCE
1-800-TEC-TRUE (1-800-832-8783)

BY: SID DATE: 12-23-09
CHK: *[Signature]* REV:



ITEM	PART NO.	DESCRIPTION	ITEM	PART NO.	DESCRIPTION
1	49-005JKRBF	COUPLING NUT	8	1-214JKCP	CAP
2	49-004JKRBF	LOCKNUT	9	369-PRJKCP	LEVER HANDLE ASSEMBLY (PAIR)
3	1797-114JKNF	BASIN COCK WASHER	10	633-123JKNF	INDEX BUTTON (BLUE)
4	555-313JKNF	WASHER	11	420-010JKRCF	SCREW, 10-32 UNC PH 1/2
5	---	VALVE BODY (NOT SOLD SEPARATELY)	12	633-023JKNF	INDEX BUTTON (RED)
6	1-099XTJKNF	QUATURN UNIT (RH)	13	L12E1JKCP	FOR PARTS SEE L12E1JKCP
7	1-100XTJKNF	QUATURN UNIT (LH)	14	E1JKRCF	QUIXTOP OUTLET