

CHICAGO FAUCETS 

a Geberit company

2100 South Clearwater Drive
Des Plaines, IL 60018
Phone: 847-803-5000
Fax: 847-803-5454
www.chicagofaucets.com

REPAIR PARTS

BY: SID DATE: 05-22-12

CHK:  REV:

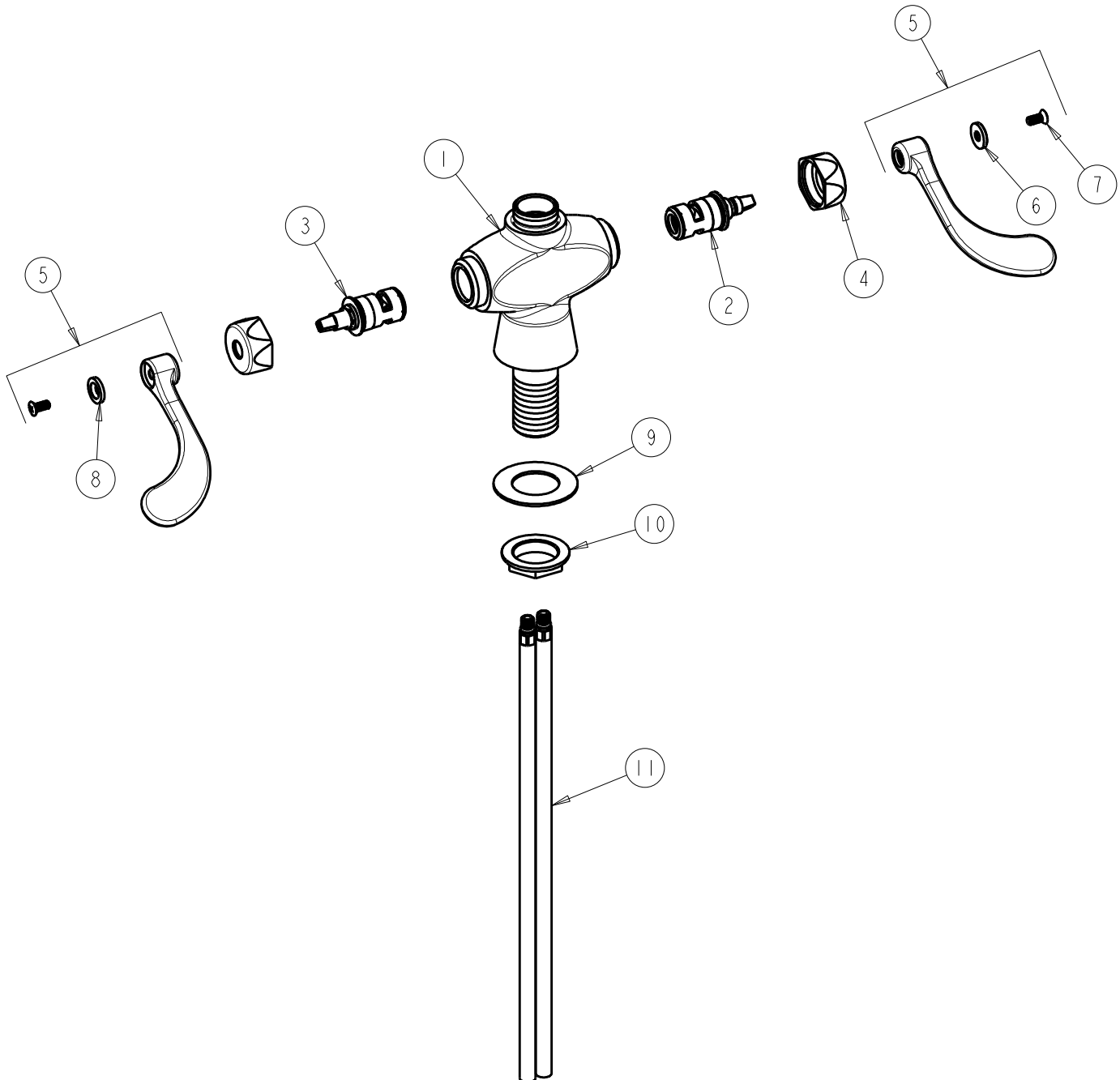
FITTING NO.

50-LESSSPT317XKCP

SUBMITTED MODEL NO.

ITEM NO.

FOR TECHNICAL ASSISTANCE
1-800-TEC-TRUE (1-800-832-8783)



ITEM	PART NO.	DESCRIPTION	ITEM	PART NO.	DESCRIPTION
1	-----	VALVE BODY (NOT SOLD SEPARATELY)	7	420-010JKRCF	SCREW, 10-32 UNC PH 1/2
2	1-099XKJKNF	RH CERAMIC QUATURN UNIT	8	633-023JKNF	INDEX BUTTON (RED)
3	1-100XKJKNF	LH CERAMIC QUATURN UNIT	9	50-014JKNF	STEEL WASHER
4	444-005JKCP	CAP	10	50-003JKRBF	LOCKNUT
5	317-PRJKCP	HANDLE, 4" WRISTBLADE (PAIR)	11	50-101KJKNF	SUPPLY TUBE ASSEMBLY
6	633-123JKNF	INDEX BUTTON (BLUE)			