

**CHICAGO FAUCETS**  
a Geberit company

2100 South Clearwater Drive  
Des Plaines, IL 60018  
Phone: 847-803-5000  
Fax: 847-803-5454  
www.chicagofaucets.com

**REPAIR PARTS**

FITTING NO.

**50-GN2FC317XKCP**

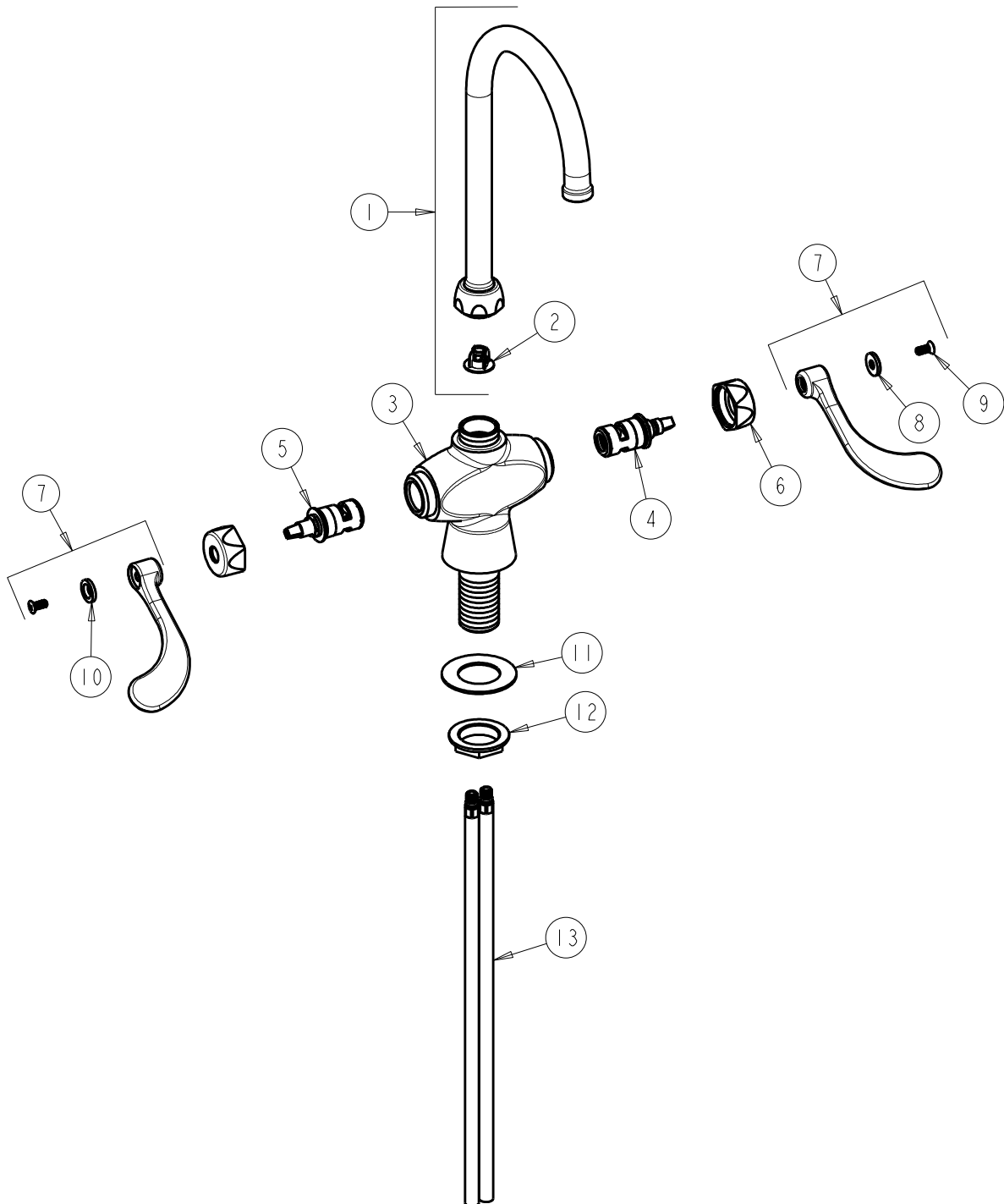
SUBMITTED MODEL NO.

ITEM NO.

**FOR TECHNICAL ASSISTANCE**  
1-800-TEC-TRUE (1-800-832-8783)

BY: SID DATE: 05-22-12

CHK: *[Signature]* REV:



ITEM	PART NO.	DESCRIPTION	ITEM	PART NO.	DESCRIPTION
1	GN2FCJKCP	GN SPOUT PLAIN END	8	633-123JKNF	INDEX BUTTON (BLUE)
2	50-043KJKNF	FLOW CONTROL 1.5 GPM	9	420-010JKRCF	SCREW, 10-32 UNC PH 1/2
3	-----	VALVE BODY (NOT SOLD SEPARATELY)	10	633-023JKNF	INDEX BUTTON (RED)
4	1-099XKJKNF	RH CERAMIC QUATURN UNIT	11	50-014JKNF	STEEL WASHER
5	1-100XKJKNF	LH CERAMIC QUATURN UNIT	12	50-003JKRBF	LOCKNUT
6	444-005JKCP	CAP	13	50-101KJKNF	SUPPLY TUBE ASSEMBLY
7	317-PRJKCP	HANDLE, 4" WRISTBLADE (PAIR)			