

CHICAGO FAUCETS
a Geberit company

2100 South Clearwater Drive
Des Plaines, IL 60018
Phone: 847-803-5000
Fax: 847-803-5454
www.chicagofaucets.com

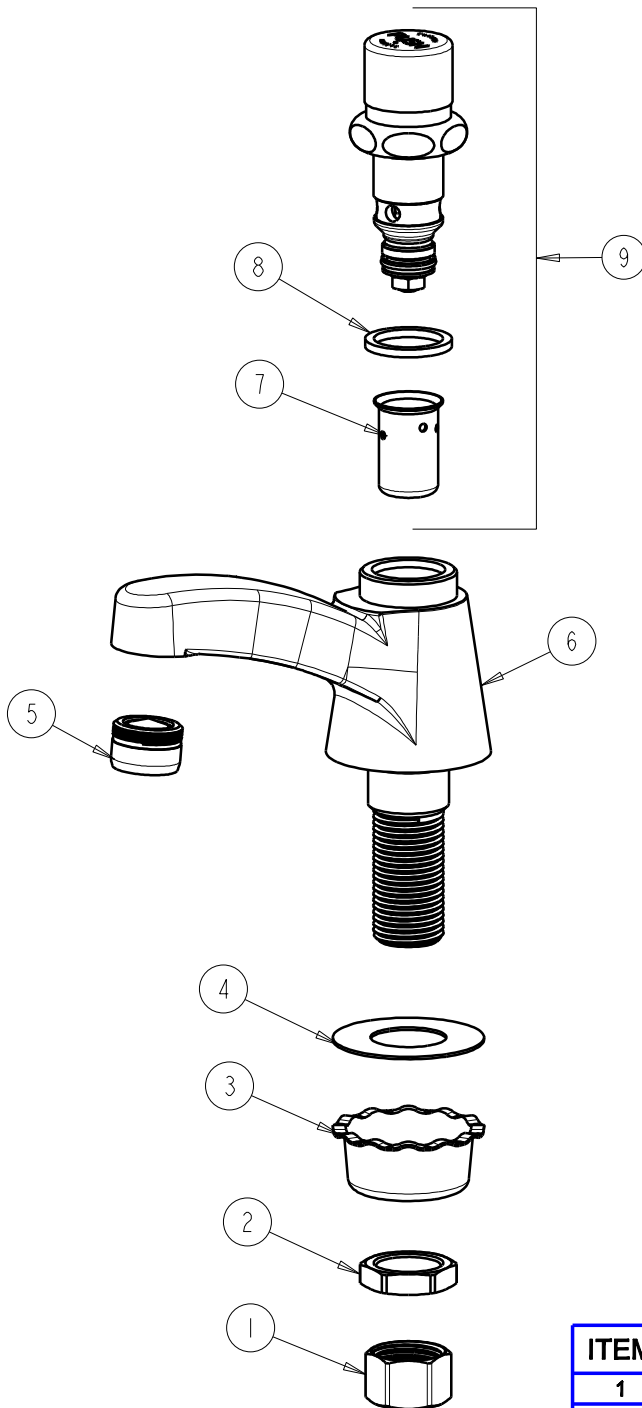
REPAIR PARTS

BY: SID DATE: 08-25-09
CHK: *[Signature]* REV:

FITTING NO.
333-E12PSHCP
SUBMITTED MODEL NO.

FOR TECHNICAL ASSISTANCE
1-800-TEC-TRUE (1-800-832-8783)

ITEM NO.



| ITEM | PART NO. | DESCRIPTION |
|------|--------------|----------------------------|
| 1 | 49-005JKRBF | COUPLING NUT |
| 2 | 49-004JKRBF | LOCKNUT |
| 3 | 1797-114JKNF | BASIN COCK WASHER |
| 4 | 333-103JKNF | RUBBER WASHER |
| 5 | E12JKCP | SOFTFLO OUTLET |
| 6 | — | BODY (NOT SOLD SEPARATELY) |
| 7 | 333-075JKNF | DASHPOT |
| 8 | 1-043JKNF | GASKET, CAP 1 X .80 X .09 |
| 9 | 333-XPSHJKNF | PUSH BUTTON UNIT |