



2100 South Clearwater Drive
 Des Plaines, IL 60018
 Phone: 847-803-5000
 Fax: 847-803-5454
 www.chicagofaucets.com

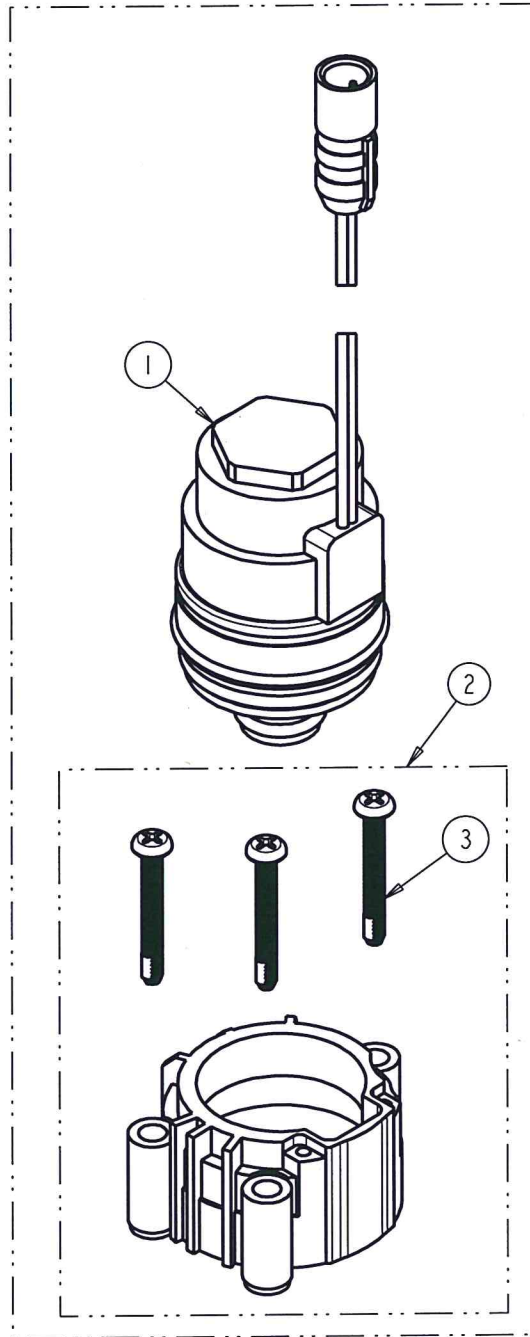
REPAIR PARTS

BY: SID DATE: 10-01-13
 CHK: *JAR* REV: 09-28-16

FITTING NO.
 242.978.AB.1
 SUBMITTED MODEL NO.

ITEM NO.

FOR TECHNICAL ASSISTANCE
 1-800-TEC-TRUE (1-800-832-8783)



ITEM	PART NO.	DESCRIPTION
1	240.744.AB.1	SOLENOID VALVE
2	242.432.00.1	KIT, AB BONNET
3	-----	LOCKING SCREW, #4-40X 0.875