

**CHICAGO FAUCETS**  
a Geberit company

2100 South Clearwater Drive  
Des Plaines, IL 60018  
Phone: 847-803-5000  
Fax: 847-803-5454  
www.chicagofaucets.com

**REPAIR PARTS**

BY: SID DATE: 06-27-11  
CHK: REV:

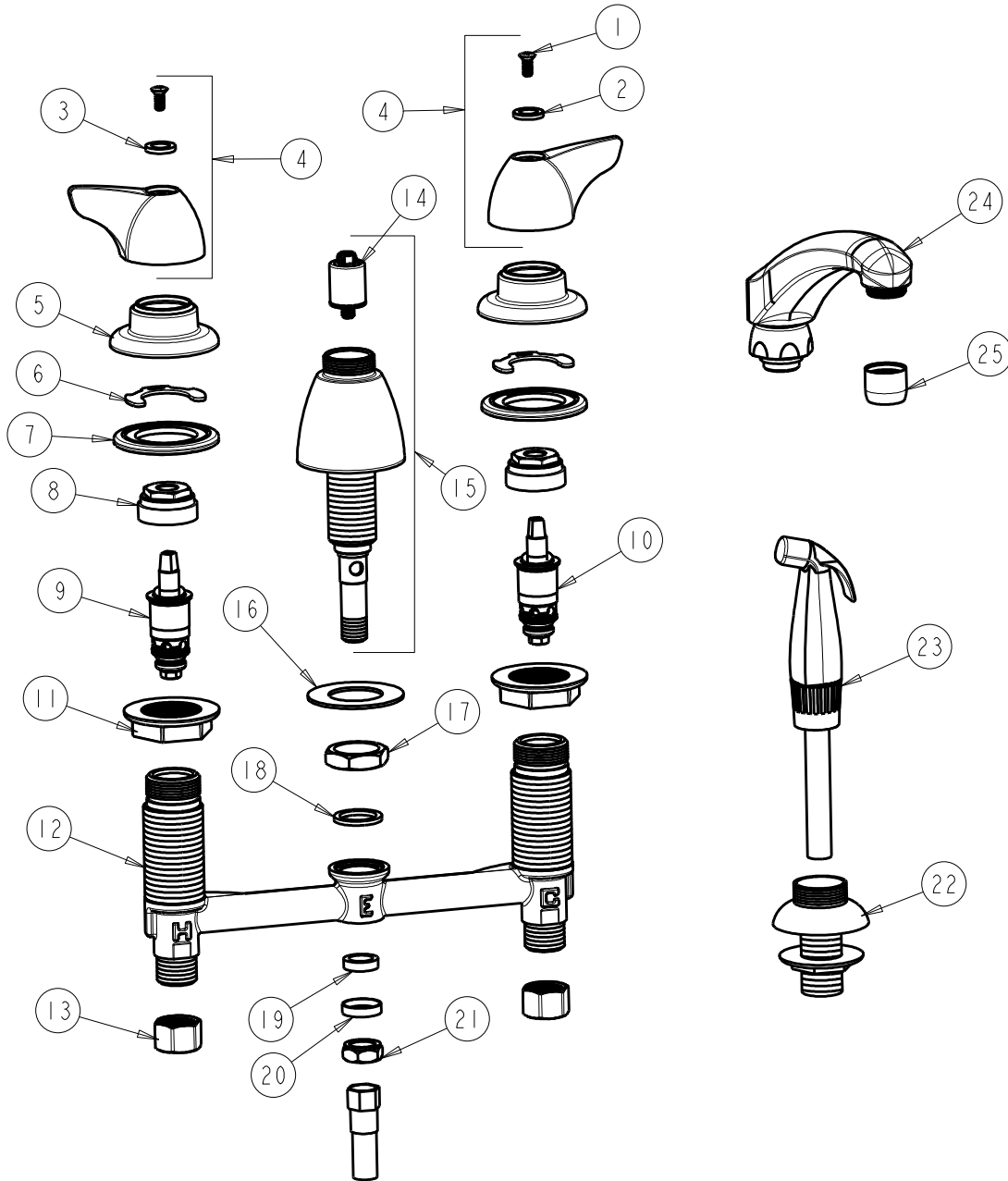
FITTING NO.

**200-AL8-1000CP**

SUBMITTED MODEL NO.

ITEM NO.

**FOR TECHNICAL ASSISTANCE**  
**1-800-TEC-TRUE (1-800-832-8783)**



ITEM	PART NO.	DESCRIPTION	ITEM	PART NO.	DESCRIPTION
1	420-010JKRCF	SCREW, 10-32 UNC PH 1/2	14	1103-006JKNF	DIVERTER VALVE
2	633-123JKNF	INDEX BUTTON (BLUE)	15	785-203KJKCP	SIDE SPRAY SPOUT BASE ASSEMBLY
3	633-023JKNF	INDEX BUTTON (RED)	16	50-014JKNF	STEEL WASHER
4	1000-PRJKCP	WING HANDLE ASSEMBLY (PAIR)	17	250-054JKRBF	LOCKNUT
5	250-083JKCP	ESCUTCHEON	18	250-200JKNF	GASKET
6	200-009JKNF	CLIP, RETAIN	19	1797-029JKNF	RUBBER WASHER
7	888-026JKNF	WASHER, SEALING	20	250-087JKRBF	RETAINER
8	400-004JKRBF	NUT, CAP	21	689-013JKRBF	LOCKNUT FOR LAVATORY FITTINGS
9	1-100XTJKNF	QUATURN UNIT (LH)	22	1103-014KJKNF	FLANGE ASSEMBLY (BLACK)
10	1-099XTJKNF	QUATURN UNIT (RH)	23	1103-009KJKNF	HOSE ASSEMBLY
11	250-004JKNF	LOCKNUT	24	L8LESSE3JKCP	FOR PARTS SEE L8LESSE3JKCP
12	----	BODY, VALVE	25	E3JKCP	SOFTFLO AERATOR OUTLET
13	49-005JKRBF	COUPLING NUT			