

CHICAGO FAUCETS
a Geberit company

2100 South Clearwater Drive
Des Plaines, IL 60018
Phone: 847-803-5000
Fax: 847-803-5454
www.chicagofaucets.com

REPAIR PARTS

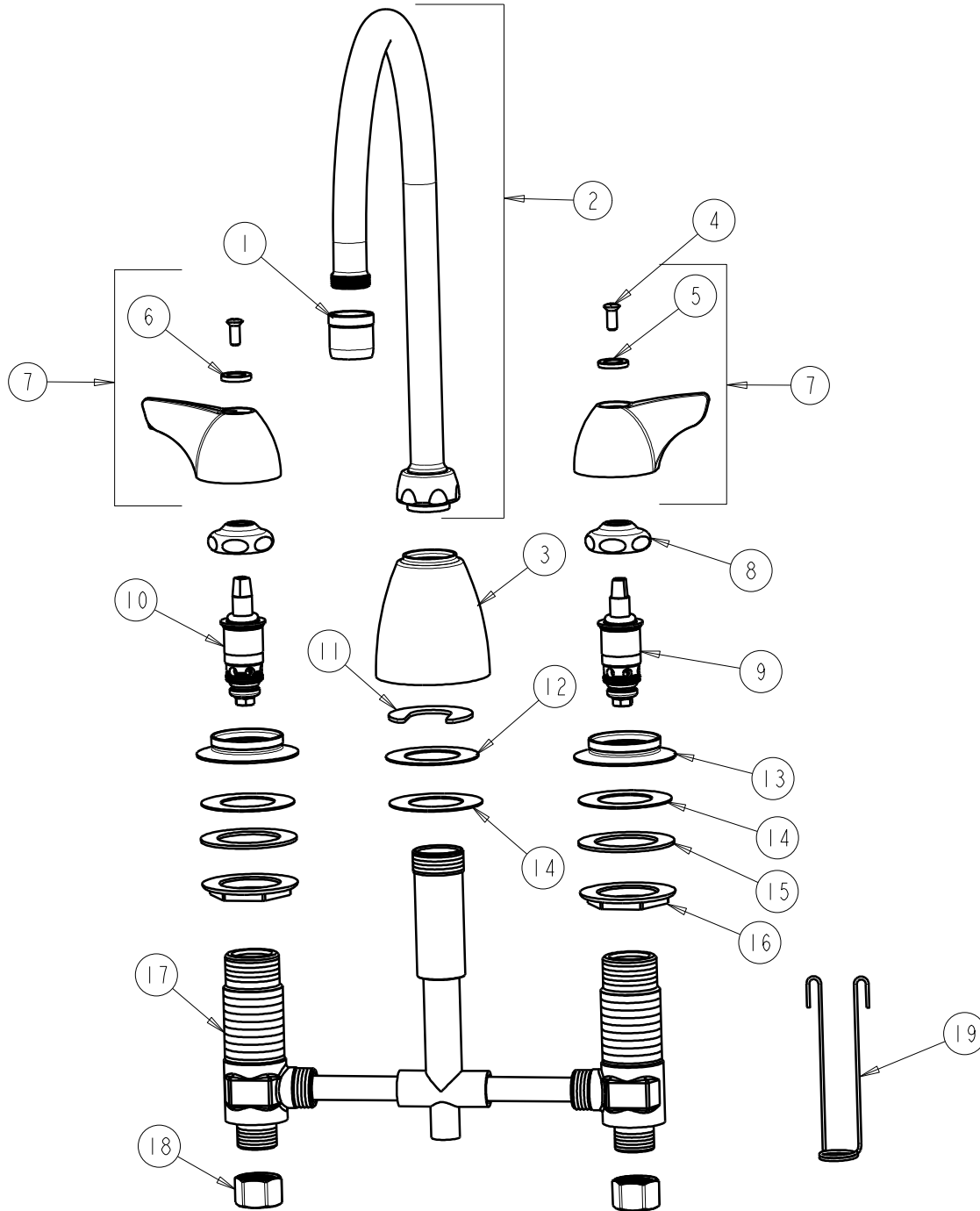
FITTING NO.
1201-AGN8AE29CP

SUBMITTED MODEL NO.

ITEM NO.

FOR TECHNICAL ASSISTANCE
1-800-TEC-TRUE (1-800-832-8783)

BY: SID DATE: 04-14-09
CHK: *[Signature]* REV:



| ITEM | PART NO. | DESCRIPTION | ITEM | PART NO. | DESCRIPTION |
|------|--------------|-----------------------------|------|--------------|----------------------------------|
| 1 | E29JKCP | LAM-A-FLO OUTLET | 11 | 200-006JKNF | C-WASHER |
| 2 | GN8AE29JKCP | FOR PARTS SEE GN8AE3JKCP | 12 | 888-006JKRBF | BRASS WASHER |
| 3 | 890-259JKCP | SPOUT ESCUTCHEON | 13 | 1797-122JKCP | FLANGE |
| 4 | 420-010JKRCF | SCREW, 10-32 UNC PH 1/2 | 14 | 739-056JKNF | RUBBER WASHER |
| 5 | 633-123JKNF | INDEX BUTTON (BLUE) | 15 | 55-010JKNF | STEEL WASHER |
| 6 | 633-023JKNF | INDEX BUTTON (RED) | 16 | 250-004JKRBF | LOCKNUT |
| 7 | 1000-PRJKCP | WING HANDLE ASSEMBLY (PAIR) | 17 | --- | VALVE BODY (NOT SOLD SEPARATELY) |
| 8 | 1-214JKCP | CAP | 18 | 49-005JKRBF | COUPLING NUT |
| 9 | 1-099XTJKNF | QUATURN UNIT (RH) | 19 | 200-007JKNF | HANGER |
| 10 | 1-100XTJKNF | QUATURN UNIT (LH) | | | |