

**CHICAGO FAUCETS**  
a Geberit company

2100 South Clearwater Drive  
Des Plaines, IL 60018  
Phone: 847-803-5000  
Fax: 847-803-5454  
www.chicagofaucets.com

**REPAIR PARTS**

FITTING NO.

**1200-ALESSTXKCP**

SUBMITTED MODEL NO.

BY: SID

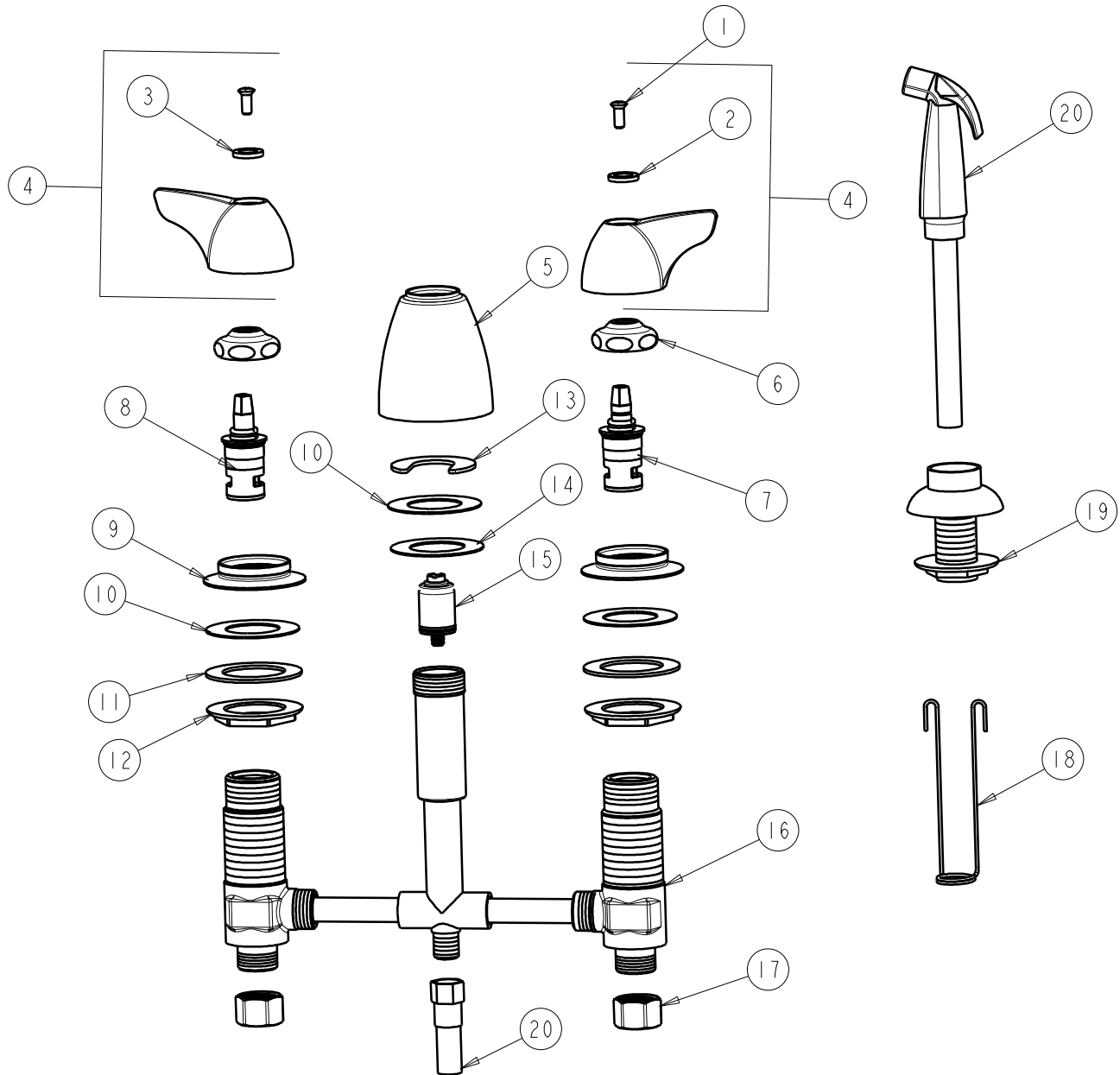
DATE: 04-09-09

CHK: *[Signature]*

REV:

ITEM NO.

**FOR TECHNICAL ASSISTANCE**  
**1-800-TEC-TRUE (1-800-832-8783)**



ITEM	PART NO.	DESCRIPTION	ITEM	PART NO.	DESCRIPTION
1	420-010JKRCF	SCREW, 10-32 UNC PH 1/2	12	250-004JKRBF	LOCKNUT
2	633-123JKNF	INDEX BUTTON (BLUE)	13	200-006JKNF	C-WASHER
3	633-023JKNF	INDEX BUTTON (RED)	14	888-006JKRBF	BRASS WASHER
4	1000-PRJKCP	WING HANDLE ASSEMBLY (PAIR)	15	1103-006JKNF	DIVERTER VALVE
5	890-259JKCP	SPOUT ESCUTCHEON	16	----	VALVE BODY NOT SOLD SEPARATELY
6	1-214JKCP	CAP	17	49-005JKRBF	COUPLING NUT
7	1-099XKJKNF	RH CERAMIC CARTRIDGE 1/4	18	200-007JKNF	HANGER
8	1-100XKJKNF	LH CERAMIC CARTRIDGE 1/4	19	1103-014KJKNF	FLANGE ASSEMBLY (BLACK)
9	1797-122JKCP	FLANGE	20	1103-009KJKNF	SPRAY AND HOSE ASSEMBLY
10	739-056JKNF	RUBBER WASHER			
11	55-010JKNF	STEEL WASHER			