

CHICAGO FAUCETS
a Geberit company

2100 South Clearwater Drive
Des Plaines, IL 60018
Phone: 847-803-5000
Fax: 847-803-5454
www.chicagofaucets.com

REPAIR PARTS

FITTING NO.

1102-LESSSPTXKCP

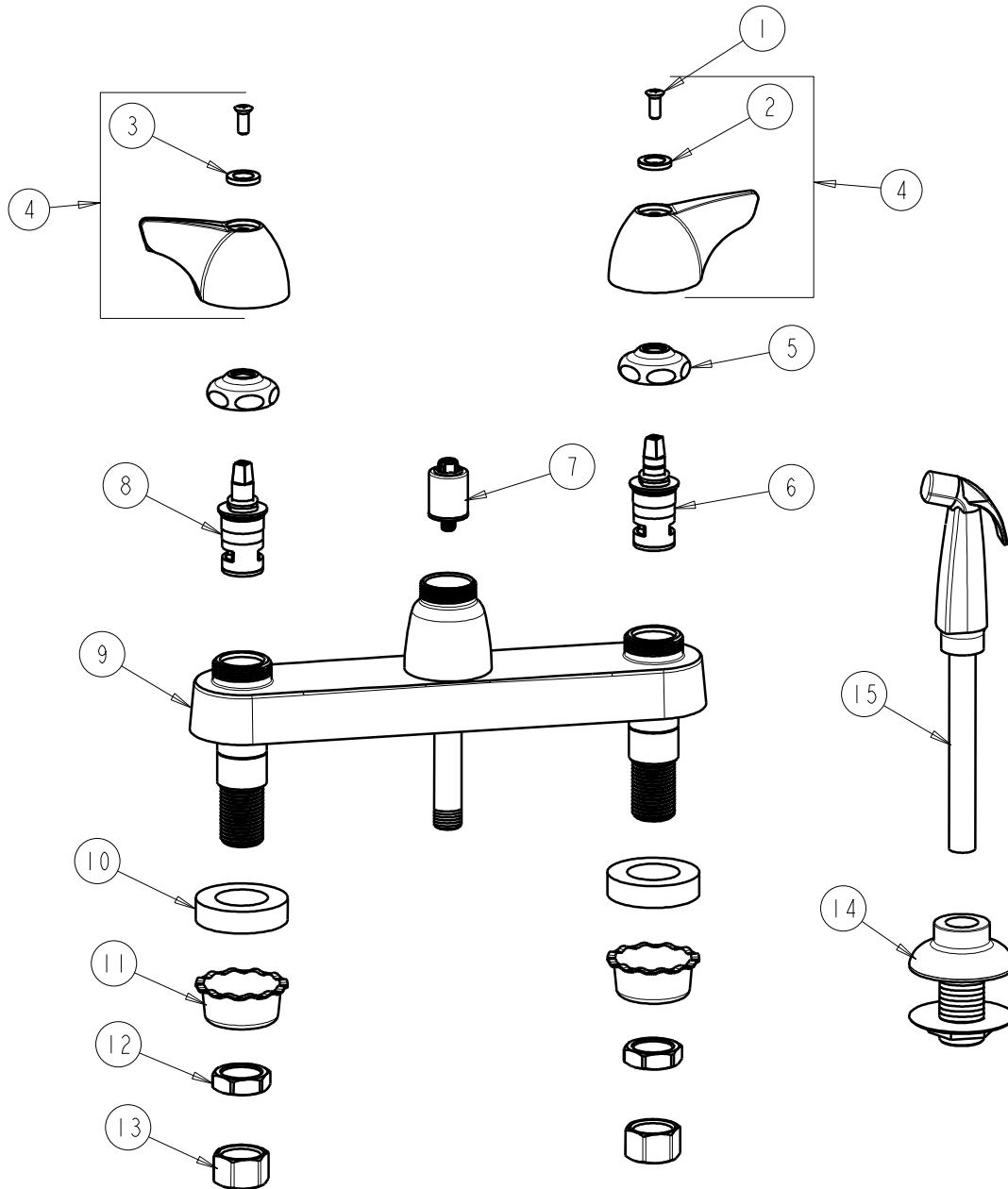
SUBMITTED MODEL NO.

BY: SID DATE: 03-30-09

CHK: *[Signature]* REV:

ITEM NO.

FOR TECHNICAL ASSISTANCE
1-800-TEC-TRUE (1-800-832-8783)



ITEM	PART NO.	DESCRIPTION	ITEM	PART NO.	DESCRIPTION
1	420-010JKRCF	SCREW, 10-32 UNC PH 1/2	9	—	VALVE BODY NOT SOLD SEPARATELY
2	633-123JKNF	INDEX BUTTON (BLUE)	10	555-313JKNF	WASHER
3	633-023JKNF	INDEX BUTTON (RED)	11	1797-114JKNF	BASIN COCK WASHER
4	1000-PRJKCP	WING HANDLE ASSEMBLY (PAIR)	12	49-004JKRBF	LOCKNUT
5	1-214JKCP	CAP	13	49-005JKRBF	COUPLING NUT
6	1-099XKJKNF	RH CERAMIC CARTRIDGE 1/4	14	1103-014KJKNF	FLANGE ASSEMBLY
7	1103-006JKNF	DIVERTER VALVE	15	1103-009KJKNF	SPRAY AND HOSE ASSEMBLY
8	1-100XKJKNF	LH CERAMIC CARTRIDGE 1/4			