

CHICAGO FAUCETS.

2100 South Clearwater Drive
Des Plaines, IL 60018
Phone: 847-803-5000
Fax: 847-803-5454
www.chicagofaucets.com

Geberit Group

FOR TECHNICAL ASSISTANCE
1-800-TEC-TRUE (1-800-832-8783)

REPAIR PARTS

BY: SID DATE: 04-05-06

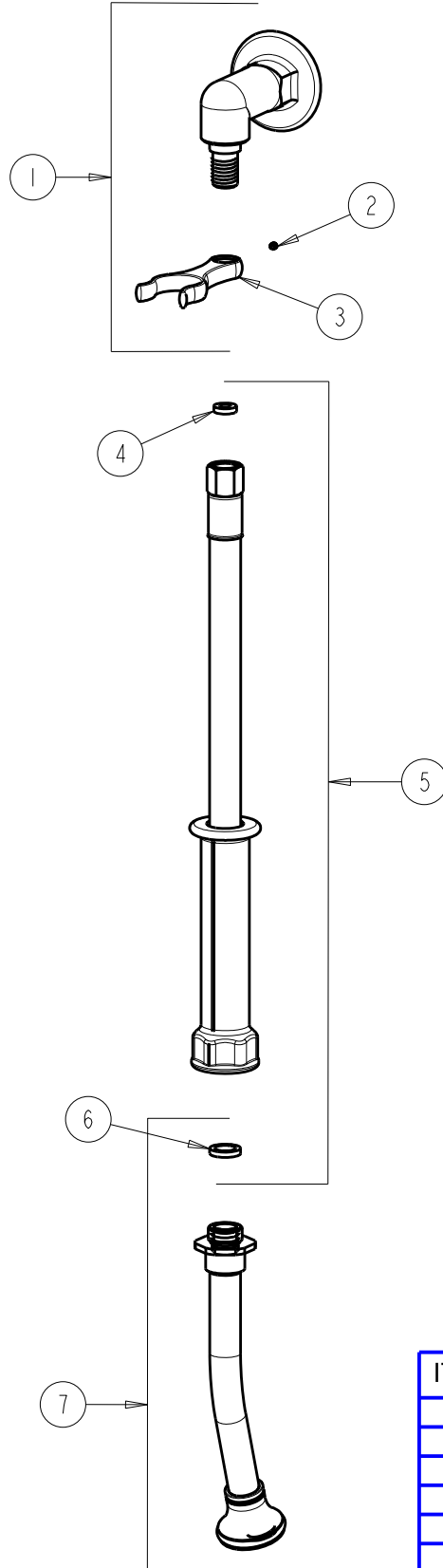
CHK: FHZ REV: 01-20-23

FITTING NO.

778-S777-19KCP

SUBMITTED MODEL NO.

ITEM NO.



ITEM	PART NO.	DESCRIPTION
1	777-033KJKABCP	ANGLE SHANK ASSEMBLY
2	777-013JKNF	SCREW, SET 6-32 X 1/8
3	-----	FORK (NOT SOLD SEPARATELY)
4	739-051JKABNF	GASKET, 1/2 X 1/4 X 1/8
5	739-053KJKABNF	HOSE, WHITE VINYL 53" W/ WASHERS
6	200-010JKABNF	GASKET
7	777-019KJKCP	SPRAY, ANGLED NOZZLE W/ WASHER