

## Pre-Rinse Fittings



# Style & Configurations

## For Any Application.



### Performance you can count on.

#### Pre-Rinse Products from Chicago Faucets.

We combine high performance pre-rinse spray valves with the unmatched durability of our time-tested faucet bodies and cartridges. The result is a workhorse dish room product strong enough to stand up to the most demanding commercial kitchens.

### Wall-Mounted Pre-Rinse Faucets



509-GXKCAB

7-1/4" - 8-3/4" Adjustable Centers

Handle	Spout	Model Number
2-3/8" Lever	9-1/2" L-Type	509-GXKCAB
2-3/8" Lever	-	510-GXKCAB
2-3/8" Lever	12" L-Type	510-G613L12XKCAB
2-3/8" Lever	14" L-Type	510-G613L15XKCAB
2-3/8" Lever	9-1/2" L-Type	510-G613XKCAB
With Inline Vacuum Breaker		
2-3/8" Lever	12" L-Type	510-GVB613L12XKCAB
2-3/8" Lever	14" L-Type	510-GVB613L15XKCAB
2-3/8" Lever	-	610-GCLVBABCP



923-HXKCAB

3" - 8-3/8" Adjustable Centers

Handle	Spout	Model Number
2-3/8" Lever	12" L-Type	923-613L12XKCAB
2-3/8" Lever	9-1/2" L-Type	923-H613XKCAB
2-3/8" Lever	-	923-HVBXKCAB
2-3/8" Lever	-	923-XKCAB
2-3/8" Lever	-	923-WSLXKCAB
3" - 4-1/8" Adjustable Centers		
2-3/8" Lever	-	923-GXKCAB

## Deck-Mounted Pre-Rinse Faucets



919-XKCAB  
Single Hole



919-VBHS90ANGXKCAB

Handle	Spout	Model Number
2-3/8" Lever	-	919-XKCAB
2-3/8" Lever	9-1/2" L-Type	919-613XKCAB
With Inline Vacuum Breaker		
2-3/8" Lever	-	919-VBHS90ANGXKCAB
2-3/8" Lever	-	919-VBXCAB



527-919SLXKCABCP



526-919SLXKCABCP

4" or 8" Centers

Handle	Spout	Model Number
2-3/8" Lever	-	526-919SLXKCABCP
2-3/8" Lever	-	527-919SLXKCABCP



509-SSVBL12XKCAB



510-SSXKCAB

8" Centers with 90° Supply Arms

Handle	Spout	Model Number
2-3/8" Lever	-	510-SSXKCAB
2-3/8" Lever	15" L-Type	510-G613L15XKCAB
With Inline Vacuum Breaker		
2-3/8" Lever	12" L-Type	509-SSVBL12XKCAB
2-3/8" Lever	12" L-Type	510-GVB613L12XKCAB
2-3/8" Lever	-	510-SSVBXCAB



524-VBABCP



2305-ABCP



2305-613AABCP

With Remote Valve

Handle	Spout	Model Number
4-5/8" Lever	9-1/2" Swing	2305-613AABCP
4-5/8" Lever	-	2305-ABCP
With Inline Vacuum Breaker		
3" Cross (2)	-	524-VBABCP
4-5/8" Lever	9-1/2" Swing	2305-VB613AABCP
4-5/8" Lever	-	2305-VBABCP

## Mini Pre-Rinse

Maximum power, minimum space.



### An ideal solution for small spaces.

Our new Mini Pre-Rinse is ideal for food trucks, coffee shops, sandwich shops, and any food service application with limited sink space.

### Half the height, **all the power.**

With our new Mini Pre-Rinse faucet, space is no longer an issue. At less than half the height of a conventional pre-rinse, the new mini pre-rinse faucet allows you to bring Chicago Faucets quality to any food service application.



## The Mini Pre-Rinse

### Built for Tight Spaces

Chicago Faucets performance and durability in half the space.

### ECAST

### Built Tough

Solid brass, lead free body construction backed by lifetime warranty.



### Performance and Water Savings

Field replaceable one piece stainless steel nozzle with 1.0 gpm @ 60 PSI performance. Flow rate saves water and money.

### Versatile Design

With the optional, integrated Adapta-Faucet™ the mini delivers a multi-functional workhorse to any kitchen.

### Durable Ceramic Cartridges

Positive on/off operation, plus integrated check valves to prevent cross-flow.

## Deck-Mounted Mini Pre-Rinse Faucets



924-613-369ABCP

924-317ABCP

Handle	Spout	Model Number
4" Wristblade	9-1/2" Swing	924-613-317ABCP
2-3/8" Lever	9-1/2" Swing	924-613-369ABCP
4" Wristblade	-	924-317ABCP
2-3/8" Lever	-	924-369ABCP

## Wall-Mounted Mini Pre-Rinse Faucets



523-317ABCP

523-613-369ABCP

Handle	Spout	Model Number
4" Wristblade	9-1/2" Swing	523-613-317ABCP
2-3/8" Lever	9-1/2" Swing	523-613-369ABCP
4" Wristblade	-	523-317ABCP
2-3/8" Lever	-	523-369ABCP

# Low Flow Pre-Rinse Valves



## Powerful performance with less water.

90 Series pre-rinse valves reduce water usage and utility expenses while delivering the power to maintain work efficiency.

## 90 Series low flow pre-rinse valve for food service applications.

The 90 Series Pre-Rinse Spray Valve features a durable metal valve body, handle, and nozzle for long product life, as well as superior performance. Easy to install on existing products or as an alternative spray on all complete Chicago Faucets pre-rinse fittings and available as a standard pre-rinse spray or in several special-use configurations.



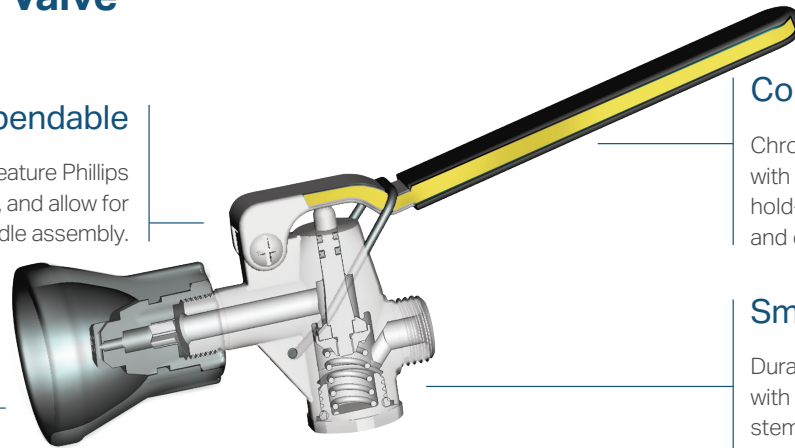
## The 90 Series Pre-Rinse Valve

### Dependable

Stainless steel post and screw feature Phillips heads, are easily accessible, and allow for simple field replacement of handle assembly.

### Heavy Duty

Heavy duty, tool-free, field replaceable bumper slides over nozzle and locks into place.



### Convenient

Chrome plated brass handle with PVC coating and integrated hold-down clip for durability and convenience.

### Smooth Activation

Durable solid brass valve body with nickel plated brass valve stem provides smooth valve activation.

### Performance

Field replaceable one piece stainless steel nozzle with 1.0 gpm @ 60 PSI performance.

### Ease of Use

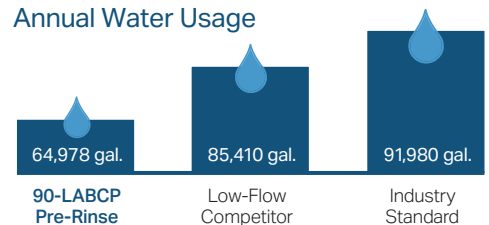
3/4" - 14 UNS male thread allows standard attachment.

## Conservation and savings.

The 90-LABCP Pre-rinse reduces water usage and utility expenses by almost 30%\* while maintaining work efficiency.

\*Based on 3 hours of daily usage and industry average utility costs, industry standard 1.42 gpm, and "low-flow" competitor rate of 1.28 gpm.

### Annual Water Usage



## Pre-rinse solutions to meet your exact needs.

Available as a standard pre-rinse spray or in these special-use models, the 90 Series is easy to install on existing products or included as part of a complete pre-rinse fitting.



**45° Angle  
Pre-Rinse**

90-ANGABCP



**Hose  
Reel Spray**

90-HABCP



**45° Angle  
Glass Filler**

90-ANGE3ABCP



**Pot and Kettle  
Filler**

90-GNABCP

## The Smart Choice For Food Service Solutions.

We can help take the hassle out of selecting the right products for your project. To learn more about the options available, visit [chicagofaucets.com/foodservice](http://chicagofaucets.com/foodservice) or contact us directly to discuss your requirements today.

Call: 847/803-5000

Write: [customerservice.us@chicagofaucets.com](mailto:customerservice.us@chicagofaucets.com)

Visit: [chicagofaucets.com/support/where-to-buy](http://chicagofaucets.com/support/where-to-buy) to find your Sales Representative or a Chicago Faucets plumbing distributor near you.



**CHICAGO  
FAUCETS**  
Geberit Group

Chicago Faucets, a member of the Geberit Group, is the leading brand of commercial faucets and fittings in the United States, offering a complete range of products for schools, laboratories, hospitals, office buildings, food service, airports, and sports facilities. Whatever your requirements may be, Chicago Faucets offers standard and made-to-order products that are designed to meet any commercial application.

© 2023 The Chicago Faucet Company. Product specifications subject to change without notice.

CF2011 01/23

2100 South Clearwater Drive, Des Plaines, IL 60018

Phone: 847/803-5000 | Fax: 847/849-1845 | Technical: 800/832-8783 | [www.chicagofaucets.com](http://www.chicagofaucets.com)

