

TempShield™ Mixing Valve Installation Instructions

Installation Instructions for 2500, 2501, and 2502 Series Fittings

Notice to the Installer

- Read this entire instruction sheet before installing to ensure proper installation
- Installation must comply with local codes and ordinances
- Installation should be in accordance with local plumbing codes
- Flush all piping thoroughly before installation
- Before installing, consult roughing-in drawings to assure proper installation

Pressurized plumbing fixtures shall be installed in accordance with manufacturer's recommendations. The supply piping to these devices shall be securely anchored to the building structure to prevent installed device from unnecessary movement when operated by the user. Care shall be exercised when installing the device to prevent marring the exposed surface.

NOTE: The information in this manual is subject to change without notice.

Please leave this manual with the facility manager after completing the faucet installation. This document contains information necessary for routine maintenance and servicing.

NOTE: Before installation, turn off water supplies to existing shower valve and remove valve if replacing. Clean mounting surface and clear away debris. Flush all supply lines before connecting to valve. Failure to do so can result in debris clogging the inlets and/or cartridges.



General Information:

Figure (1) illustrates typical complete Chicago Faucet in-wall fitting. All fittings are shipped arranged for bottom supplies. This represents the typical layout for the entire 2500 series.

NOTE: This valve for use with shower heads rated at 2.5 GPM (9.5 L/min) or higher.

When Using Top Supplies for All Models:

The inlet caps for both hot and cold supplies on top of the valve body must be switched to the bottom hot and cold inlet connections (Figure 2).

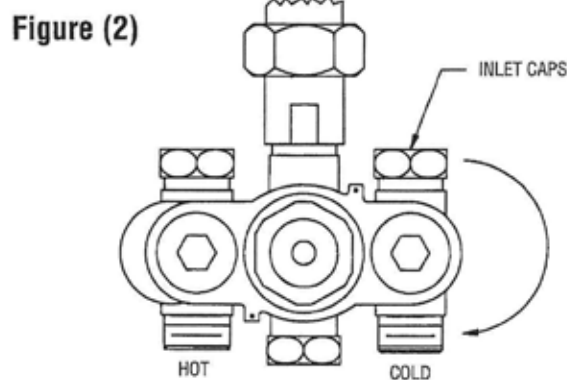
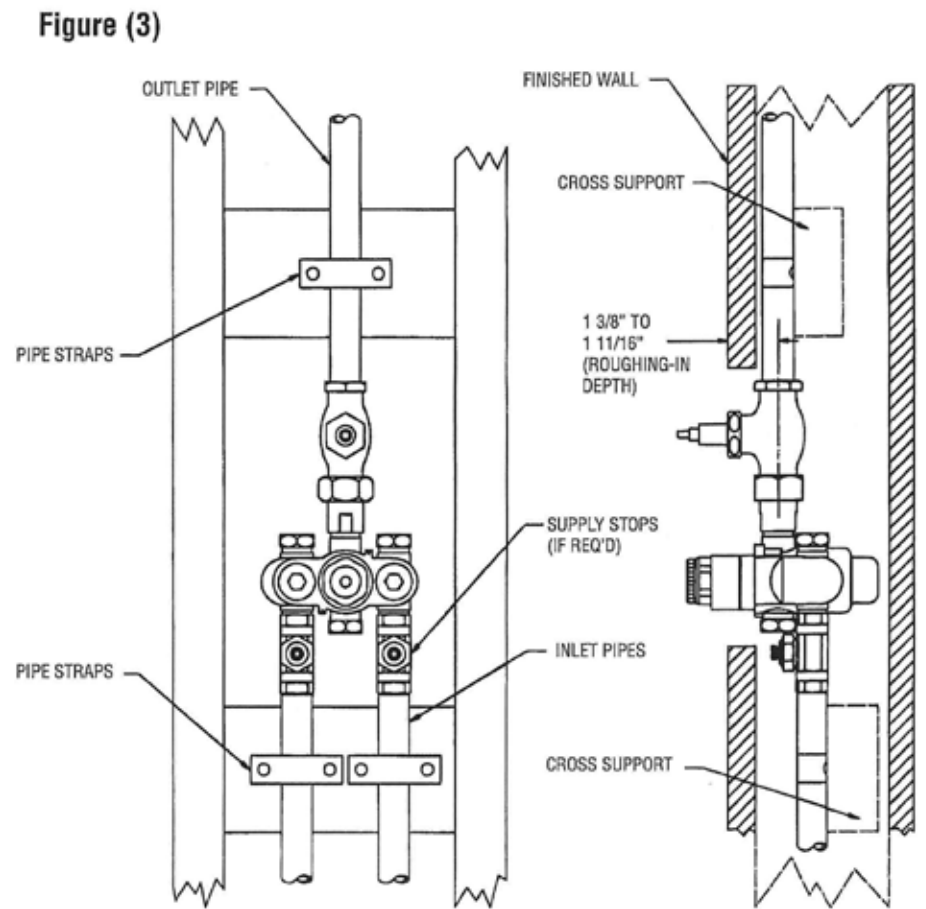
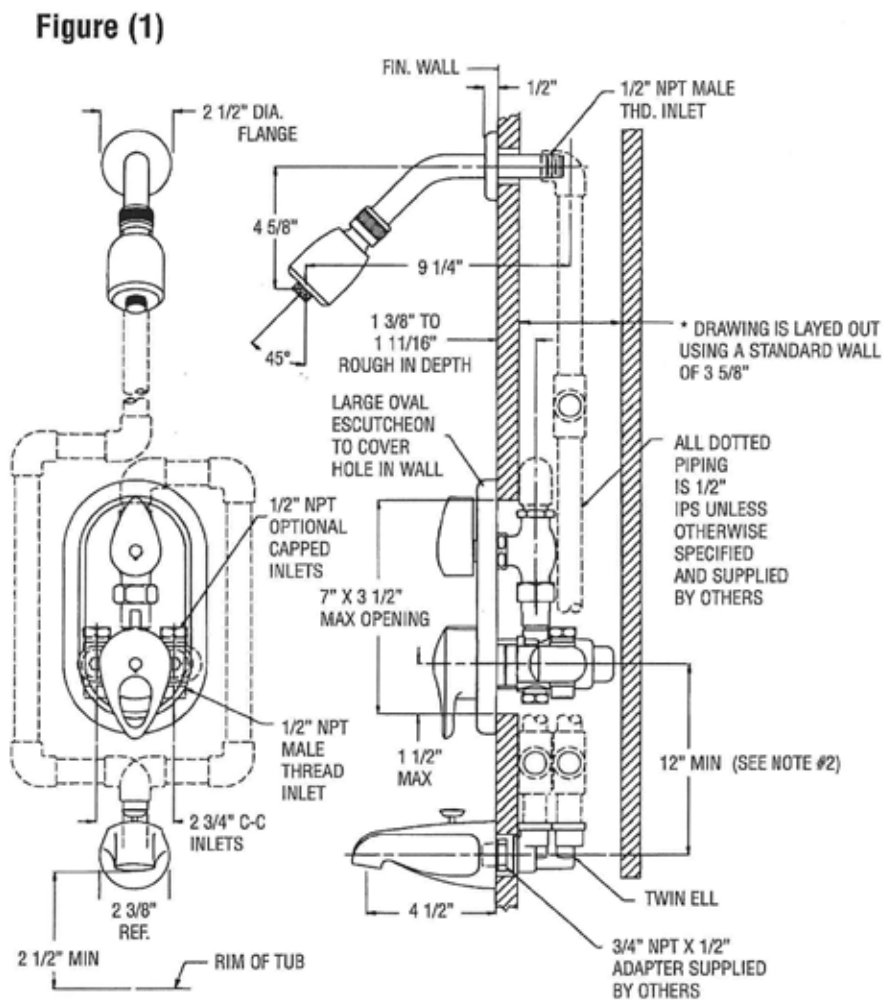


Figure (4)

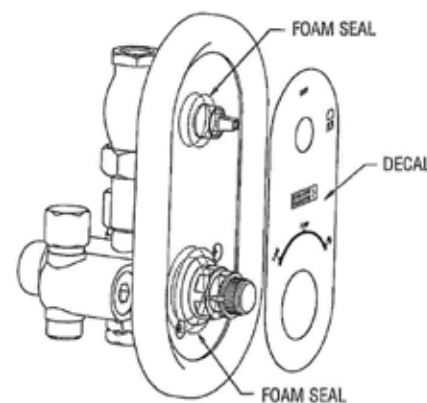
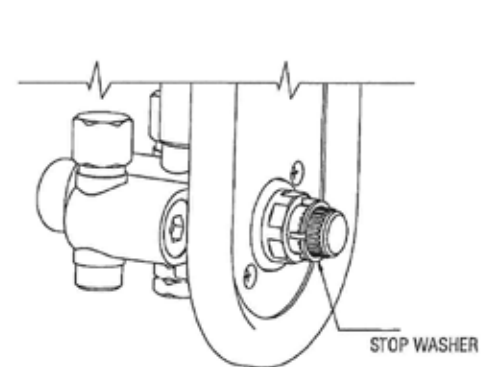


Figure (5)



TempShield™ Mixing Valve Installation Instructions

(continued)



Geberit Group

Installation Instructions:

1. Secure valve into position and connect inlet supplies.
Hard pipe inlet supplies to inlets. (Do not sweat lines directly to body. If sweating copper, use proper sweat adapters). Important – Installer must know both the wall board and tile thickness in order to properly set the rough-in depth (Figure 1). Leave cardboard sleeves on for protection until final installation of escutcheon and handles.
NOTES: When supply stops are required, specify Chicago Faucet #769-006K. (See Figure 3).
A minimum distance of 12" must be maintained from center of the valve to the center of the diverter tub spout.
IMPORTANT: Hot and cold water must be supplied to the correct inlets as marked on the body and the body is in the correct position when the lettering identifying those inlets is visible from the top.
2. Secure inlet piping. Install a cross support behind inlet pipes. (Figure 3)
3. Pipe to tub spout and/or shower head.
For tub and shower (2500 series): Install pipe from the outlet on the stop to the front connection of the twin ell supply (both 1/2 NPT connections). Pipe from the rear outlet of the twin ell to the shower head.
NOTES: When installing in a 2x4 wall, piping must go around the valve (Figure 1).
For tub only (2501 series): Install pipe from the outlet on the stop to the tub spout (twin ell is not required in this installation).
For shower only (2502 series): Install pipe from the outlet on the stop directly to shower head (twin ell is not required in this installation).
4. Secure outlet piping. Install a cross support behind outlet piping (Figure 3).
5. Turn on both hot and cold water supplies to the fitting. Check all connections for leaks prior to finishing wall.
6. Remove cardboard sleeves and install required trim. After wall has been finished, remove cardboard sleeves. Place the self adhesive backed foam seals onto the inside surface of the escutcheon around the holes to be sealed. Install the escutcheon with the two mounting screws supplied. Apply decal onto the escutcheon as shown (Figure 4).
7. Install Handles:
Small Handle (on/off): Place smaller tear drop handle onto upper "on/off" valve stem. When valve is in the closed position (turned fully in a counter-clockwise motion until stopped), the handle should point upward towards the off position as shown in the decal. Secure the handle in place with the screw supplied and install the index button to hide the screw.
Larger Handle (temperature adjustment): Before installing and setting the "loop" handle, make sure the stop washer leg is resting against the stop when turned counter-clockwise. Then check the outlet temperature with a thermometer to insure the maximum temperature is 112°. If the water temperature is not 112°F, remove stop washer retainer clip and stop washer (see Figure 5). Adjust stem as necessary to reach 112°F and replace stop washer and retainer slip making sure stop washer rests against stop when turned counter-clockwise. Then turn stem clockwise until 100°F temperature is achieved at the outlet. Place the handle on the stem with the pointer mark pointing to the 110°F mark. Secure the handle in place with screw supplied and install the index button to hide the screw.
NOTE: Both hot and cold water must be available to properly install and set the loop handle.
8. Install shower head (if necessary): Install shower arm, slide wall flange over shower arm and install shower head.
9. Install diverter spout (if necessary): If using 1/2" pipe, a 3/4" to 1/2" reducer is needed.
10. Place a bead of caulk around the outer edge of the escutcheon to prevent water seepage.

Care and Maintenance

All Chicago Faucets fittings are designed and engineered to meet or exceed industry performance standards. Care should be taken when cleaning this product. Do not use abrasive cleaners, chemicals or solvents as they can result in surface damage. Use mild soap with warm water for cleaning and protecting the surface of Chicago Faucets fittings.

For additional technical assistance, call 800/TEC-TRUE (800-832-8783) or visit our website at chicagofaucets.com.

CHICAGO FAUCETS LIMITED WARRANTY

TO WHOM DOES THIS WARRANTY APPLY? — The Company extends the following limited warranty to the original user only.

WHAT DOES THIS WARRANTY COVER AND HOW LONG DOES IT LAST?

This warranty covers the following Commercial Products:

LIFETIME FAUCET WARRANTY — The "Faucet," defined as any metal cast, forged, stamped or formed portion of the Product, not including electronic or moving parts or other products separately covered by this Limited Warranty or water restricting components or other components, is warranted against material manufacturing defects for the life of the Product.

FIVE YEAR FAUCET WARRANTY — Certain Products and portions of the Product are warranted against material manufacturing defects for a period of five (5) years from the date of Product purchase. Products warranted against material manufacturing defects for a period of five (5) years from the date of Product purchase are referred to by the product numbers 42X, 43X, 15XX and E-Tronic™ - 4X, 5X, 6X, 7X, 8X and 9X. All zinc die cast portions of Product are warranted against material manufacturing defects for a period of five (5) years from the date of Product purchase.

THREE YEAR ELECTRONICS WARRANTY — Electronic components, including the solenoid, are warranted for three (3) years from the date of installation.

FIVE YEAR CARTRIDGE WARRANTY — The "Cartridge", defined as the metal portion of any Product typically referred to by the product numbers containing 1-099, 1-100, 1-310, 377X, 217X and 274X, excluding any rubber or plastic components, is warranted against material manufacturing defects for a period of five (5) years from the date of Product purchase. All Cartridges included in the Company's Single Control or Shower Products also are warranted against material manufacturing defects for a period of five (5) years from the date of Product purchase.

ONE YEAR FINISH WARRANTY – COMMERCIAL — For Products used in commercial applications, the finish of the Product is warranted against material manufacturing defects for a period of one (1) year from the date of Product purchase.

OTHER WARRANTIES — All other Products not covered above are warranted against material manufacturing defects for a period of one (1) year from the date of Product purchase.

Other restrictions and limitations apply. For complete warranty details, call Chicago Faucets Customer Service at 847-803-5000 or visit chicagofaucets.com.

The Chicago Faucet Company
2100 South Clearwater Drive
Des Plaines, IL 60018
Phone: 847/803-5000
Fax: 847/803-5454
Technical: 800/832-8783
www.chicagofaucets.com